



# PRODUCT GUIDE

PORCH, PATIO &  
GARAGE ENCLOSURES



# Product Guide Table of Contents

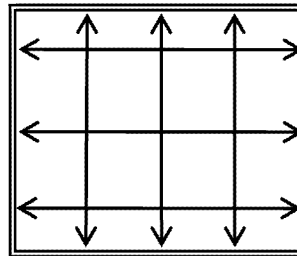
<b>Eze-Breeze Product Overview</b> .....	2 - 5
<b>Vertical Four-Track - Series 4V60</b>	
Outside Mount - Features .....	6
Outside Mount - Information & Guidelines .....	7
Outside Mount - Configuration Drawings .....	8
Outside Mount - Exploded View Drawings .....	9 - 10
Inside Mount - Features .....	11
Inside Mount - Information & Guidelines .....	12
Inside Mount - Configuration Drawings .....	13
Inside Mount - Exploded View Drawings .....	14
Minimum and Maximum Size Chart .....	15
<b>Horizontal Side Slider - Series SS10 and Side Slider Garage Door Screen - Series SS30</b>	
SS10 - Outside Mount - Features .....	16
Outside Mount - Information & Guidelines .....	17
Outside Mount - 4-Track Drawings .....	18
Outside Mount - Exploded View Drawings .....	19 - 20
SS10 - Inside Mount - Features .....	21
Inside Mount - Information & Guidelines .....	22
Inside Mount - 4-Track Drawings .....	23
Inside Mount - Exploded View Drawings .....	24 - 25
SS30 - Outside Mount - Features .....	26
Outside Mount - Information & Guidelines .....	27
Outside Mount - 4-Track Drawings .....	28
Outside Mount - Exploded View Drawings .....	29 - 30
SS30 - Inside Mount - Features .....	31
Inside Mount - Information & Guidelines .....	32
Inside Mount - 4-Track Drawings .....	33
Inside Mount - Exploded View Drawings .....	34 - 35
SS10 & SS30 Side Slider 2-Track Configurations and Minimum & Maximum Size Chart .....	36 - 37
SS10 & SS30 Side Slider 4-Track Configurations and Minimum & Maximum Size Chart .....	38 - 39
<b>Removable Vent Fixed Lite - Series RV20</b>	
Features .....	40
Information & Guidelines .....	41
Exploded View Drawings .....	42
<b>Heavy Duty Lip Frame Fixed Lite - Series HLF20</b>	
Features .....	43
Information & Guidelines .....	44
Exploded View Drawings .....	45
<b>Standard Lip Frame Fixed Lite - Series LF20</b>	
Features .....	46
Information & Guidelines .....	47
Exploded View Drawings .....	48
<b>Vertical Two-Track - Series 2V60</b>	
Features .....	49
Information & Guidelines .....	50
Exploded View Drawings .....	51
<b>Cabana Door - Series CD90</b>	
Features .....	52
Information & Guidelines .....	53 - 54
Out-swing Configuration Drawings .....	55
In-swing Configuration Drawings .....	56
Exploded View Drawings .....	57 - 59

**Product names and series numbers:**

Vertical Four-Track	4V60
Horizontal Side Slider	SS10 (sill with flange)
Side Slider Garage Door Screen	SS30 (sill without flange)
Removable Vent Fixed Lite - single, twin, and triple	RV20
Standard Lip Frame Fixed Lite	LF20
Standard Lip Frame Shape	LS20
Heavy Duty Lip Frame	HLF20
Heavy Duty Lip Frame Shape	HLS20
Vertical Two-Track Screen Door Insert	2V60
Cabana Door	CD90

**Measuring:**

We recommend that at least three (3) measurements be taken on the width and height of the opening. When placing your order give the smallest recorded measurement for both width and height.



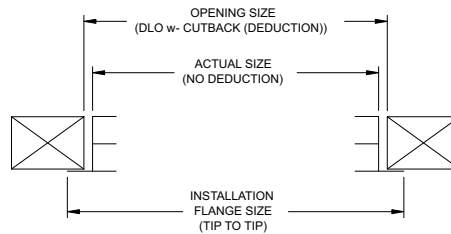
**Ordering:**

"Opening Size" measurements are preferred

All sizes must be given width x height in inches - see product specifics for standard cutbacks (deductions) or order by actual unit size

**Size selection:** *(varies by product)*

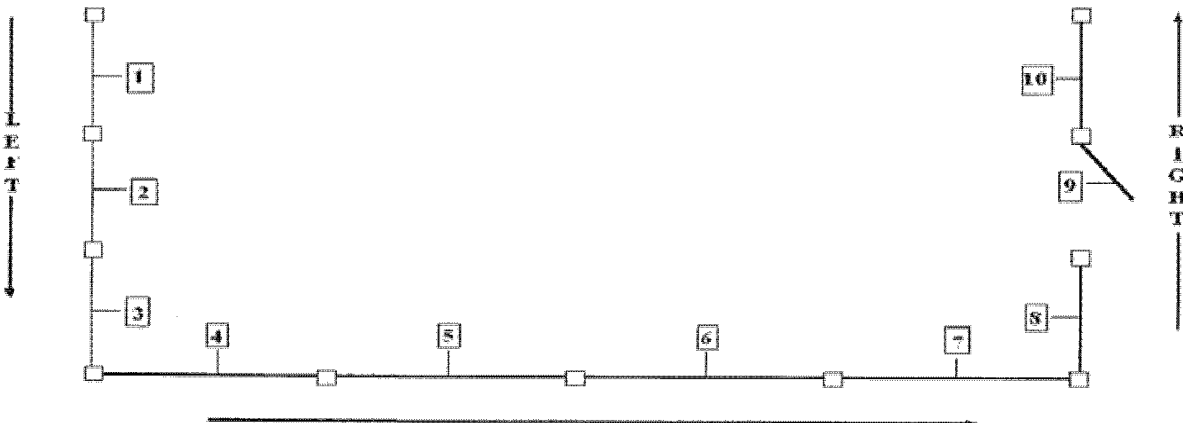
Opening size with 1/8" cutback (deduction)	Size of the finished opening; product will be manufactured 1/8" smaller in width & height
Opening size with 1/4" cutback (deduction)	Size of the finished opening; product will be manufactured 1/4" smaller in width & height
Opening size with 3/8" cutback (deduction)	Size of the finished opening; product will be manufactured 3/8" smaller in width & height
Actual window size with no cutback (no deductions)	Actual unit size not including the installation flange; product will be manufactured to this size



**Ordering Sequence:**

Upon request, PGT will number the units in the same order they are given thus avoiding confusion during installation. When measuring, start at one end and work your way around the room, numbering each opening in sequence and give your Customer Service Representative the unit sizes in the same order they were measured.

**"View of Room Layout for Ordering Sequence"**



**Installation frame types:**

Outside Mount (OSM)                      Mounted from the outside; installation flange is on the exterior side of the opening  
 Inside Mount (ISM)                         Mounted from the inside; installation flange is on the interior side of the opening

**Frame colors:**

White, bronze, beige, or pebble khaki (driftwood)

**Vinyl colors (10-mil):**

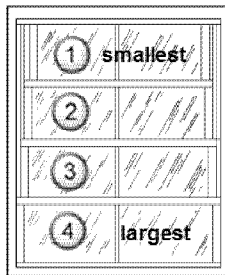
Clear, bronze, dark gray, or smoke gray

**Screen mesh :**

1814 charcoal and gray  
 1816 charcoal and gray  
 BetterVue® 2020 Screen  
 SunScreen® charcoal, gray, and white

**Identifying 4V60 vents**

Vents are numbered 1- 4 starting at the top.



**Vent # 1** - smallest in width and located in the outermost track  
**Vent # 2** - located in 2nd track from the exterior  
**Vent # 3** - located in 3rd track from exterior  
**Vent # 4** - largest in width and located in the innermost track

Each vent is 3/4" larger in width than the previous vent.  
 Vent heights are the same unless the original unit was ordered with an unequal vent.

**Identifying SS10 and SS30 vents and tracks:**

Vents are numbered left to right from the inside-looking-out. In the case of a Condo unit, count the vinyl glazed vents first and then the screen vents. Tracks are lettered A - D from the inside-looking-out.

**4-Track 8-Vent Pyramid Condo**

*Outside*

Track D	Vent 5 (screen)	Vent 6 (screen)	Vent 7 (screen)	Vent 8 (screen)	Track D
Track C	Vent 1			Vent 4	Track C
Track B	Vent 2		Vent 3	Track B	
Track A					Track A

*Inside*

**2-Track 4-Vent Staggered**

*Outside*

Track B	Vent 1			Vent 3	Track B
Track A	Vent 2		Vent 4		Track A

*Inside*

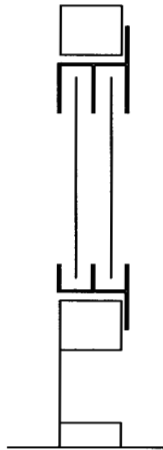
### Inside Mount 2 -Track and 4 - Track Side Sliders

These are installed in a regular or reverse fashion.

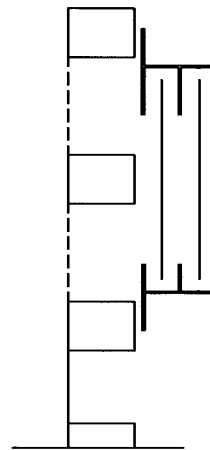
**Regular** – Weepholes are located on the opposite side of the flange.

**Reverse** – Weepholes are located on the same side as the flange.

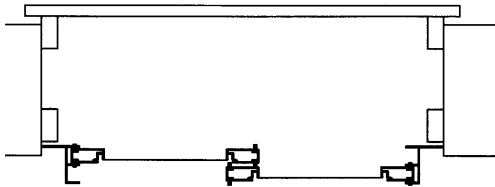
Regular Mount  
SS10 2 - Track shown



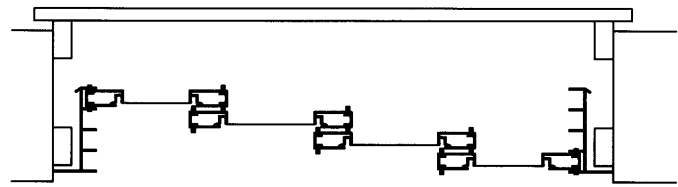
Reverse Mount  
SS10 2 - Track shown



Regular Mount  
SS30 2 - Track shown

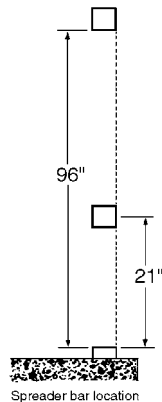


Reverse Mount  
SS30 4 - Track shown



### Identifying Side Slider spreader bar location:

Measure from the bottom of the opening  
to the center of the spreader bar



**Trapezoid shapes:**

Trapezoids are available in a left or right shape orientation. To determine the shape orientation, view the trapezoid from the direction they are be mounted/installed; shapes that slope down to the left are a Left shape orientation and shapes that slope down to the right are a Right shape orientation. The measurements needed when placing your order are: width/base, overall height, and leg height. The slope dimension, or angle degree is not needed or required.

**Ordering replacement parts:**

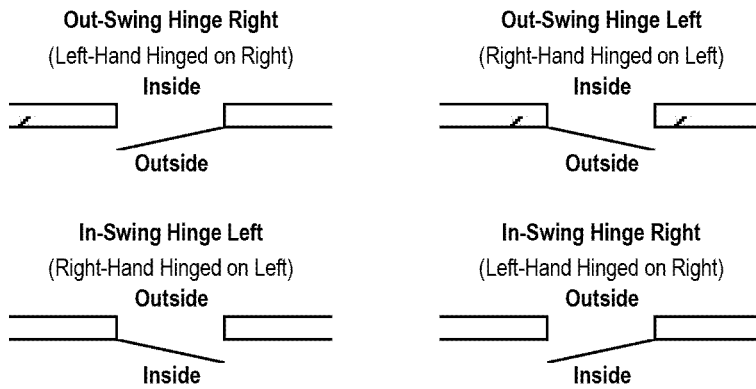
It is best to order replacement parts by providing the same information that would be needed for a complete unit.

Opening size, size selection (cutback), installation frame type, frame color, vinyl color, spreader bar quantity, equal, or unequal vent, etc...

When ordering replacement vents, identify the needed vent using the information in this section.

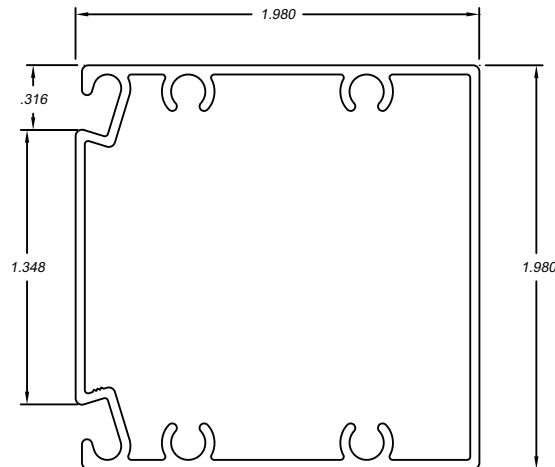
**Cabana Door Hinge and Swing:**

All doors are viewed from the direction of swing.



**2 x 2 Mull Post**

Aluminum post for m

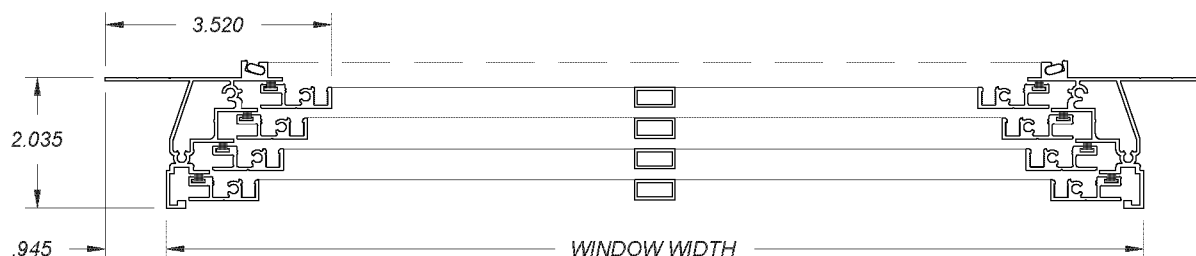
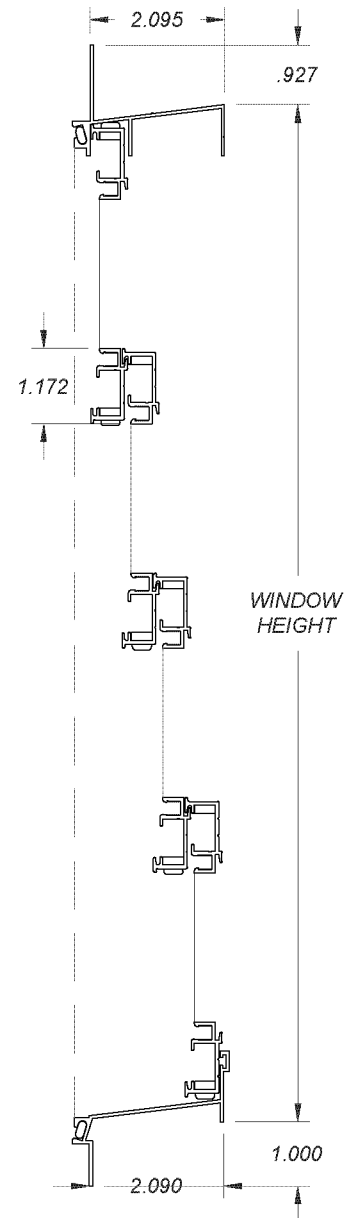


### STANDARD FEATURES

- Outside mount frame
- Aluminum extruded main frame
- White frame color
- Frame depth 2"
- 1" front installation flange
- Glazed with 10-mil clear vinyl
- Equal interlocking vents
- Tilt in, removable vents
- Spreader bar(s)
- 1814 charcoal screen rolled-in frame
- Sizing
  - Opening size with 1/8" deduction in width & height

### OPTIONAL FEATURES

- Bronze, beige, or pebble khaki (driftwood) frame color
- Bronze, dark gray, or smoke gray 10-mil vinyl color
- BetterVue® 2020, SunScreen®, and 1816 screen mesh
- 8 vent stereo (twin), 12 vent stereo (triple)
- Unequal vents
- Mixed vinyl color in vents
- 2, 3, and 4 vent configurations
- Sizing
  - Opening size with 1/4" deduction in width & height
  - Actual unit size with no deductions





# Vertical Four-Track

Series 4V60

## Outside Mount Information and Guidelines

**Information necessary for a complete and correct quote/order:**

	<b>Example:</b>	<b>Example:</b>	<b>Example:</b>
1. Product / series number	4V60	4V60	4V60
2. Installation frame type	OSM	OSM	OSM
3. Unit configuration	Single	Twin	Triple
4. Size selection	Opening w/ 1/4" cutback	Opening w/ 1/8" cutback	Actual (No deductions)
5. Size	49 1/2" x 59"	80" x 64"	140" x 84"
6. Vent quantity	4	3	4
7. Vent configuration	Equal	Equal	Unequal (Bottom vent 18 1/4" height)
8. Spreader bar quantity	2	1	1
9. Frame color	White	Beige	Bronze
10. Vent glazing	Clear	Smoke gray	Bronze
11. Screen configuration	Rolled-in frame	Rolled-in frame	No screen
12. All other desired options must be included at the time of order			

**Note:** Options not listed cannot be incorporated into your quote or order

**Additional order and product information:**

- Opening measurement is preferred:** Our standard cutback (deduction) is 1/8" and will be taken in both width and height. You may choose one of our other options: 1/4" cutback or actual unit size (not including installation flange).
- To ensure exceptional product performance and functionality, spreader bars are required on actual unit widths that exceed 30" wide.
- Sizes and configurations:  
Minimum and Maximum width vary based on the unit Height. See Product Minimum and Maximum Guidelines on page 15 for additional details.

	<b>Minimum Width :</b>	<b>Maximum Width :</b>
	Actual Size	Actual Size
<b>Single</b>	11 7/8"	72"
<b>Twin</b>	42"	108"
<b>Triple</b>	72"	144"

Minimum and Maximum height vary based on the unit Width. See Product Minimum and Maximum Guidelines on page 15 for additional details.

<b>Single, Twin and Triple Unit</b>	<b>Minimum Height :</b>	<b>Maximum Height :</b>
	Actual Size	Actual Size
4 vent	23 1/16"	113"
3 vent	17 13/16"	89 3/4"
2 vent	12 1/2"	60 3/8"

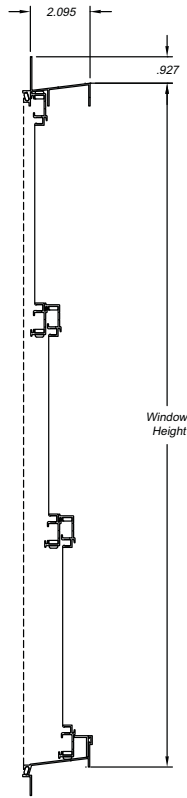


# Vertical Four-Track

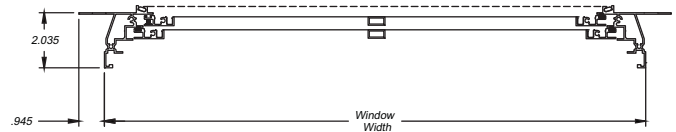
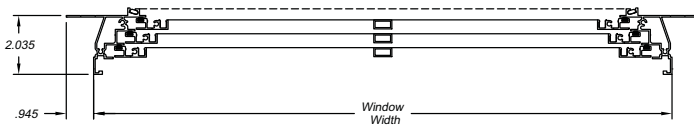
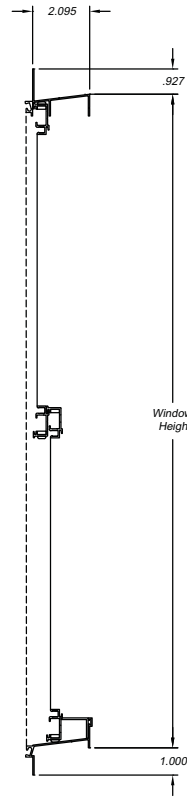
Series 4V60

## Outside Mount Configuration Drawings

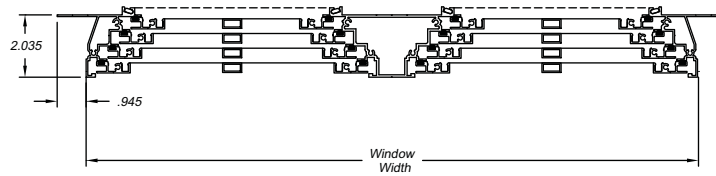
Vertical Four Track-3 vents



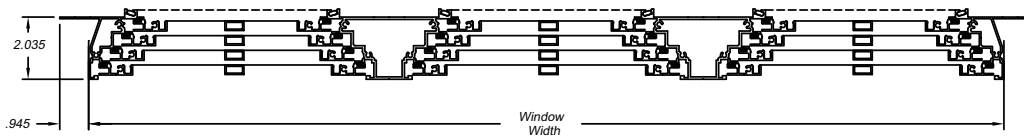
Vertical Four Track-2 vents



Vertical Four Track Twin-4 vents



Vertical Four Track Triple- 4 vents

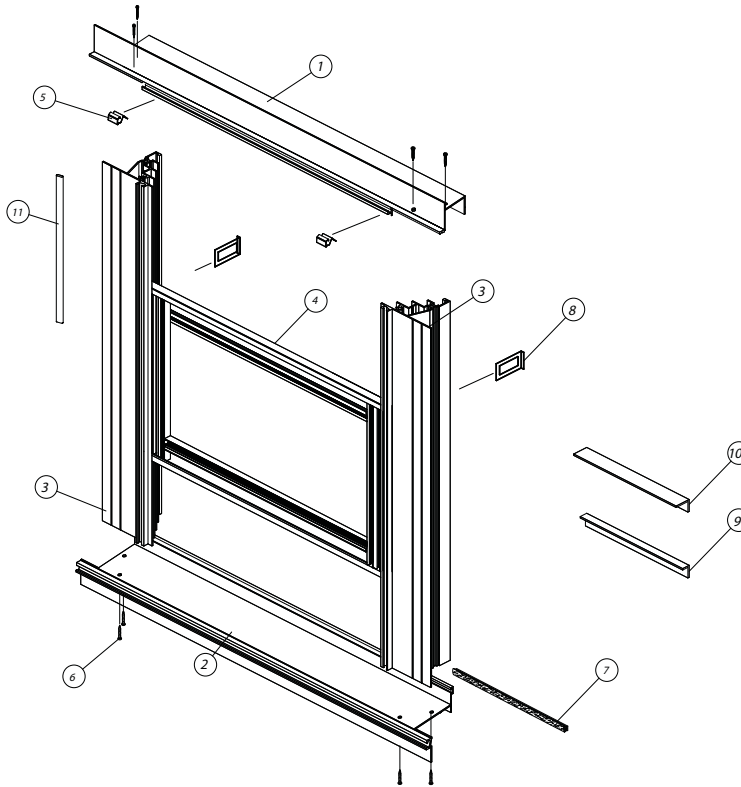


# Vertical Four-Track

Series 4V60

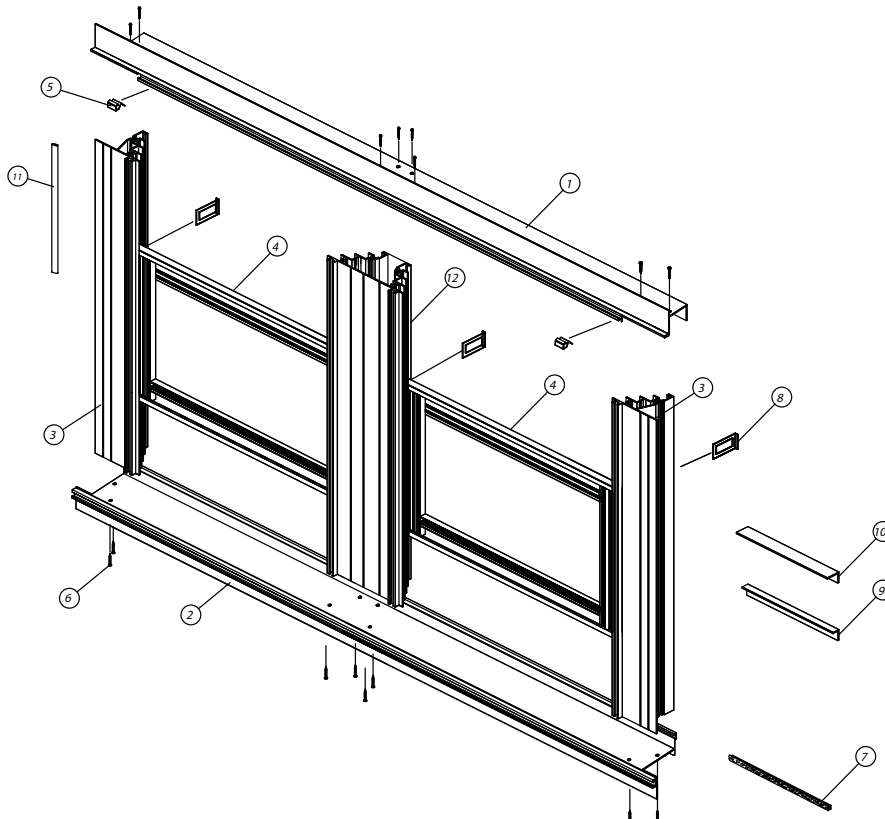
Exploded View Drawings

## VERTICAL FOUR-TRACK OUTSIDE MOUNT FRAME - Single



Item #	Description
1	Frame Head
2	Frame Sill
3	Frame Jamb
4	Vertical Four-Track Vent (assembled)
5	Top Track Vent Clip
6	Frame Assembly Screws
7	Frame Sill Weatherstrip
8	Installation Clip
9	4T3V - Track Filler Angle (1/2" x 3/4")
10	4T2V - Track Filler Angle(1" x 1")
11	Flat Spline

## OUTSIDE MOUNT FRAME - Twin



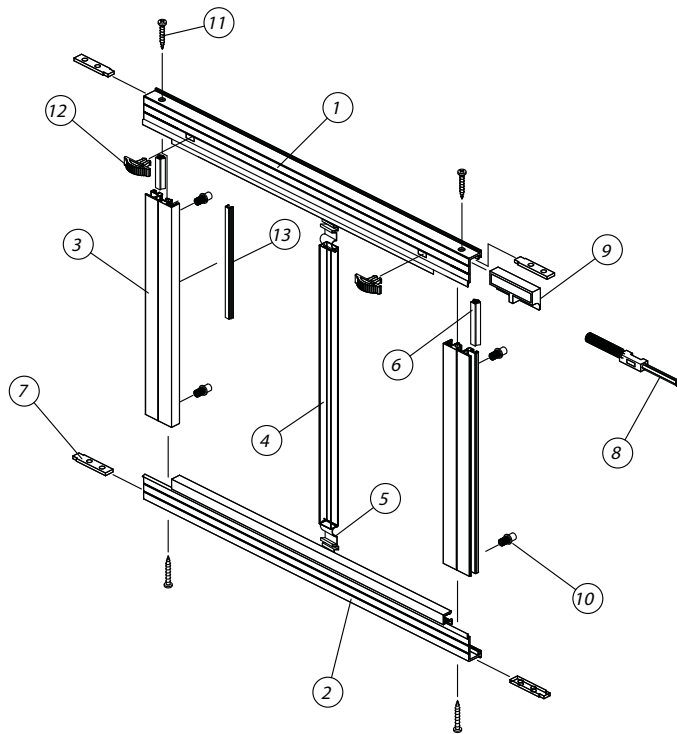
Item #	Description
1	Frame Head
2	Frame Sill
3	Frame Jamb
4	Vertical Four-Track Vent (assembled)
5	Top Track Vent Clip
6	Frame Assembly Screws
7	Frame Sill Weatherstrip
8	Installation Clip
9	4T3V - Track Filler Angle (1/2" x 3/4")
10	4T2V - Track Filler Angle(1" x 1")
11	Flat Spline
12	Intermediate Frame Jamb

# Vertical Four-Track

Series 4V60

Exploded View Drawings (continued)

## VERTICAL FOUR-TRACK VENT ASSEMBLY



### Item # Description

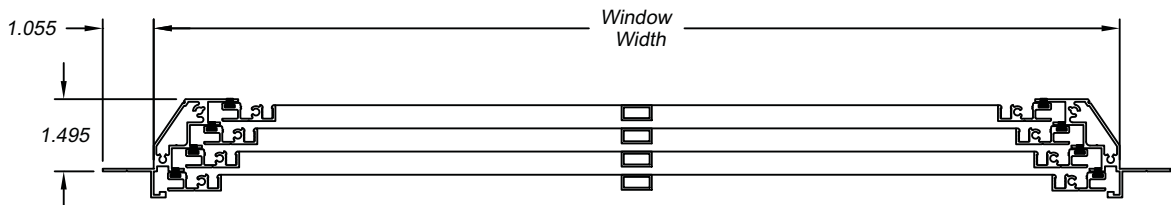
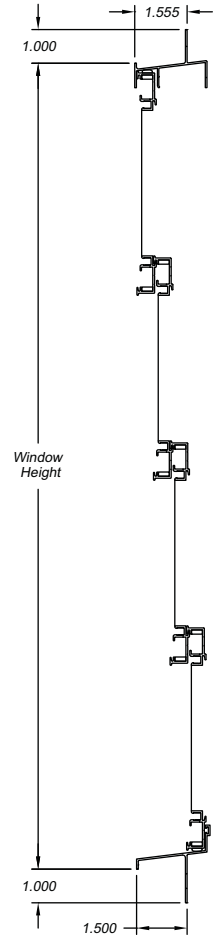
- 1 Vent Head
- 2 Vent Sill
- 3 Vent Jamb
- 4 Spreader Bar
- 5 Spreader Bar Clip
- 6 Vent Jamb Weatherstrip
- 7 Vent Spacer
- 8 Slide Bolt Assembly (slide bolt & spring)
- 9 Slide Bolt Stop Block
- 10 Spring Cap Assembly
- 11 Vent Assembly Screw
- 12 Thumb Latch
- 13 Rigid V-Spline (vents)

## STANDARD FEATURES

- Inside mount frame
- Aluminum extruded main frame
- White frame color
- Frame depth 2"
- 1" front installation flange
- Glazed with 10-mil clear vinyl
- Equal interlocking vents
- Tilt in, removable vents
- Spreader bar(s)
- Sizing
  - Opening size with a 3/8" deduction in width & height

## OPTIONAL FEATURES

- Bronze, beige, or pebble khaki (driftwood) frame color
- Bronze, dark gray, or smoke gray 10-mil vinyl color
- Lip frame screen attached
- BetterVue® 2020, SunScreen®, 1814 or 1816 screen mesh
- Unequal vents
- Mixed vinyl color in vents
- 2, 3, and 4 vent configurations
- Sizing
  - Actual unit size with no deductions





# Vertical Four-Track

Series 4V60

## Inside Mount Information and Guidelines

**Information necessary for a complete and correct quote/order:**

	<b>Example:</b>	<b>Example:</b>	<b>Example:</b>
1. Product / series number	4V60	4V60	4V60
2. Installation frame type	ISM	ISM	ISM
3. Unit configuration	Single	Single	Single
4. Size selection	Opening with 3/8" cutback	Opening with 3/8" cutback	Actual (No deductions)
5. Size	49 1/2" x 59"	26" x 54"	36" x 90"
6. Vent quantity	3	2	4
7. Vent configuration	Equal	Equal	Unequal (Bottom vent 18 1/4" height)
8. Spreader bar quantity	2	None	1
9. Frame color	White	Beige	Bronze
10. Vent glazing	Clear	Smoke Gray	Bronze
11. Screen configuration	Screen attached 1814G	Screen sent unattached BetterVue screen	No screen
12. All other desired options must be included at the time of order			

**Note:** Options not listed cannot be incorporated into your quote or order

**Additional order and product information:**

- Opening measurement is preferred:** Our standard cutback (deduction) is 3/8" and will be taken in both width and height. You may also order by actual unit size (not including installation flange).
- To ensure exceptional product performance and functionality, spreader bars are required on actual unit widths that exceed 30" wide.
- Sizes and configurations:  
Minimum and Maximum width vary based on the unit Height. See Product Minimum and Maximum Guidelines on page 15 for additional details.

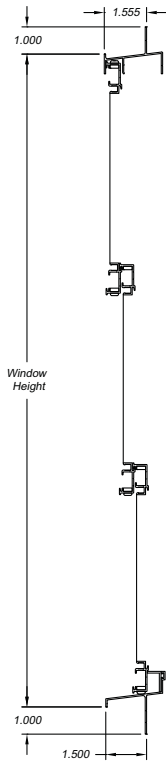
	<b>Minimum Width :</b>	<b>Maximum Width :</b>
	Actual Size	Actual Size
Single	11 7/8"	72"

Minimum and Maximum height vary based on the unit Width. See Product Minimum and Maximum Guidelines on page 15 for additional details.

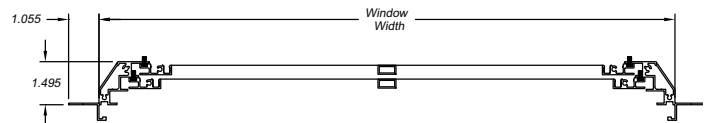
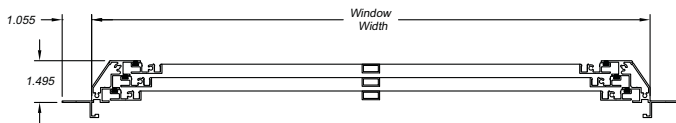
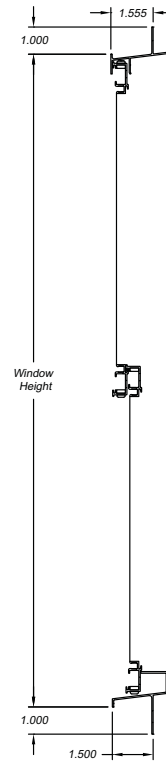
	<b>Minimum Height :</b>	<b>Maximum Height :</b>
	Actual Size	Actual Size
4 vent	23 1/16"	113"
3 vent	17 13/16"	89 3/4"
2 vent	12 1/2"	60 3/8"

Screen Attached Units up to 60" x 96" or 72" x 84"

Vertical Four Track-3 vents



Vertical Four Track-2 vents

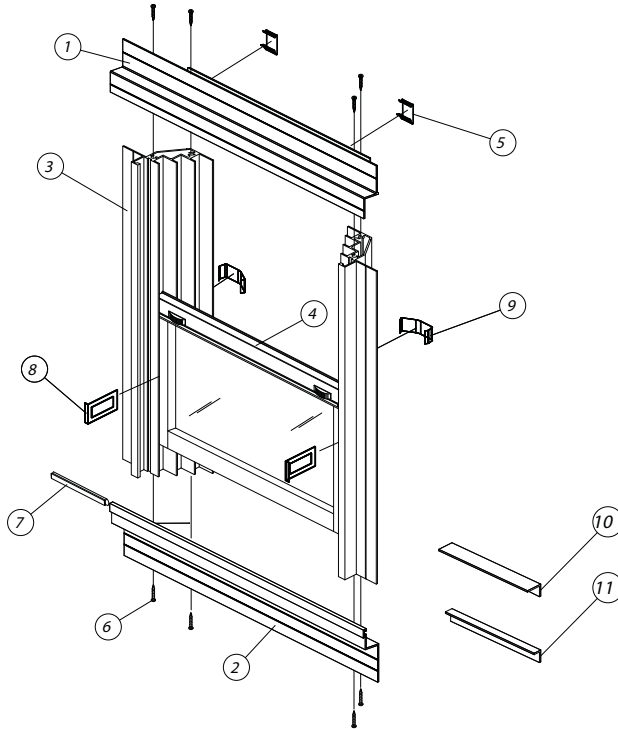


# Vertical Four-Track

Series 4V60

Exploded View Drawings

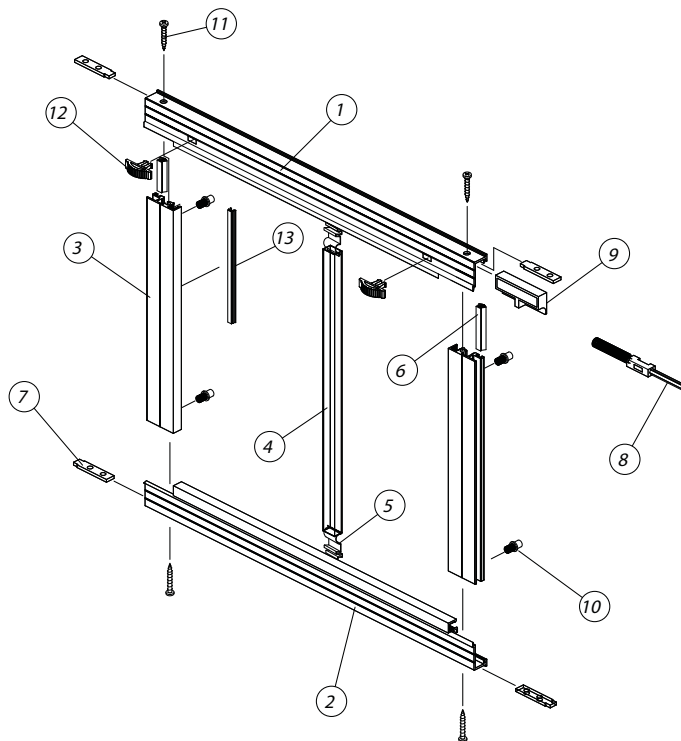
## VERTICAL FOUR-TRACK INSIDE MOUNT FRAME - Single



### Item # Description

- 1 Frame Head
- 2 Frame Sill
- 3 Frame Jamb
- 4 Vertical Four-Track Vent (assembled)
- 5 Top Track Vent Clip
- 6 Frame Assembly Screws
- 7 Frame Sill Weatherstrip
- 8 Installation Clip
- 9 Shipping Clip
- 10 4T3V - Track Filler Angle (1/2" x 3/4")
- 11 4T2V - Track Filler Angle(1" x 1")

## VENT ASSEMBLY



### Item # Description

- 1 Vent Head
- 2 Vent Sill
- 3 Vent Jamb
- 4 Spreader Bar
- 5 Spreader Bar Clip
- 6 Vent Jamb Weatherstrip
- 7 Vent Spacer
- 8 Slide Bolt Assembly (slide bolt & spring)
- 9 Slide Bolt Stop Block
- 10 Spring Cap Assembly
- 11 Vent Assembly Screw
- 12 Thumb Latch
- 13 Rigid V-Spline (vents)



# Vertical Four-Track

Series 4V60

## Minimum and Maximum Size Chart

VERTICAL FOUR-TRACK Single Unit		OPENING Width (Inches)												
		OSM ISM	12 12 1/4	18 18 1/4	24 24 1/4	30 30 1/4	36 36 1/4	42 42 1/4	48 48 1/4	54 54 1/4	60 60 1/4	66 66 1/4	72 1/8 72 3/8	
		ACTUAL Width (Inches) USING STANDARD DEDUCTIONS												
OPENING Height (Inches)	OSM ISM	Actual Sizes	11 7/8	17 7/8	23 7/8	29 7/8	35 7/8	41 7/8	47 7/8	53 7/8	59 7/8	65 7/8	72	
	24 24 1/4	23 7/8	2 Vent 3 Vent 4 Vent	2 Vent 3 Vent 4 Vent	2 Vent 3 Vent 4 Vent	2 Vent 3 Vent 4 Vent	2 Vent 3 Vent 4 Vent	2 Vent 3 Vent 4 Vent	2 Vent 3 Vent 4 Vent	2 Vent 3 Vent 4 Vent	2 Vent 3 Vent 3 Vent	2 Vent 3 Vent 3 Vent	2 Vent 3 Vent 3 Vent	2 Vent 3 Vent 3 Vent
		29 7/8	2 Vent 3 Vent 4 Vent	2 Vent 3 Vent 4 Vent	2 Vent 3 Vent 4 Vent	2 Vent 3 Vent 4 Vent	2 Vent 3 Vent 4 Vent	2 Vent 3 Vent 4 Vent	2 Vent 3 Vent 4 Vent	2 Vent 3 Vent 4 Vent	2 Vent 3 Vent 4 Vent	2 Vent 3 Vent 3 Vent	2 Vent 3 Vent 3 Vent	2 Vent 3 Vent 3 Vent
	30 30 1/4	35 7/8	2 Vent 3 Vent 4 Vent	2 Vent 3 Vent 4 Vent	2 Vent 3 Vent 4 Vent	2 Vent 3 Vent 4 Vent	2 Vent 3 Vent 4 Vent	2 Vent 3 Vent 4 Vent	2 Vent 3 Vent 4 Vent	2 Vent 3 Vent 4 Vent	2 Vent 3 Vent 4 Vent	2 Vent 3 Vent 4 Vent	2 Vent 3 Vent 3 Vent	2 Vent 3 Vent 3 Vent
		41 7/8	2 Vent 3 Vent 4 Vent	2 Vent 3 Vent 4 Vent	2 Vent 3 Vent 4 Vent	2 Vent 3 Vent 4 Vent	2 Vent 3 Vent 4 Vent	2 Vent 3 Vent 4 Vent	2 Vent 3 Vent 4 Vent	2 Vent 3 Vent 4 Vent	2 Vent 3 Vent 4 Vent	2 Vent 3 Vent 4 Vent	2 Vent 3 Vent 4 Vent	2 Vent 3 Vent 3 Vent
	36 36 1/4	47 7/8	2 Vent 3 Vent 4 Vent	2 Vent 3 Vent 4 Vent	2 Vent 3 Vent 4 Vent	2 Vent 3 Vent 4 Vent	2 Vent 3 Vent 4 Vent	2 Vent 3 Vent 4 Vent	2 Vent 3 Vent 4 Vent	2 Vent 3 Vent 4 Vent	2 Vent 3 Vent 4 Vent	2 Vent 3 Vent 4 Vent	3 Vent 4 Vent	3 Vent 4 Vent
		53 7/8	2 Vent 3 Vent 4 Vent	2 Vent 3 Vent 4 Vent	2 Vent 3 Vent 4 Vent	2 Vent 3 Vent 4 Vent	2 Vent 3 Vent 4 Vent	2 Vent 3 Vent 4 Vent	2 Vent 3 Vent 4 Vent	2 Vent 3 Vent 4 Vent	2 Vent 3 Vent 4 Vent	3 Vent 4 Vent	3 Vent 4 Vent	3 Vent 4 Vent
	42 42 1/4	59 7/8	2 Vent 3 Vent 4 Vent	2 Vent 3 Vent 4 Vent	2 Vent 3 Vent 4 Vent	2 Vent 3 Vent 4 Vent	2 Vent 3 Vent 4 Vent	2 Vent 3 Vent 4 Vent	2 Vent 3 Vent 4 Vent	2 Vent 3 Vent 4 Vent	3 Vent 4 Vent	3 Vent 4 Vent	3 Vent 4 Vent	3 Vent 4 Vent
		65 7/8	3 Vent 4 Vent	3 Vent 4 Vent	3 Vent 4 Vent	3 Vent 4 Vent	3 Vent 4 Vent	3 Vent 4 Vent	3 Vent 4 Vent	3 Vent 4 Vent	3 Vent 4 Vent	3 Vent 4 Vent	3 Vent 4 Vent	4 Vent
	48 48 1/4	71 7/8	3 Vent 4 Vent	3 Vent 4 Vent	3 Vent 4 Vent	3 Vent 4 Vent	3 Vent 4 Vent	3 Vent 4 Vent	3 Vent 4 Vent	3 Vent 4 Vent	3 Vent 4 Vent	3 Vent 4 Vent	4 Vent	4 Vent
		77 7/8	3 Vent 4 Vent	3 Vent 4 Vent	3 Vent 4 Vent	3 Vent 4 Vent	3 Vent 4 Vent	3 Vent 4 Vent	3 Vent 4 Vent	3 Vent 4 Vent	3 Vent 4 Vent	4 Vent	4 Vent	4 Vent
	54 54 1/4	83 7/8	3 Vent 4 Vent	3 Vent 4 Vent	3 Vent 4 Vent	3 Vent 4 Vent	3 Vent 4 Vent	3 Vent 4 Vent	3 Vent 4 Vent	3 Vent 4 Vent	3 Vent 4 Vent	4 Vent	4 Vent	4 Vent
		89 7/8	4 Vent	4 Vent	4 Vent	4 Vent	4 Vent	4 Vent	4 Vent	4 Vent	4 Vent	4 Vent	4 Vent	Not Available
	60 60 1/4	95 7/8	4 Vent	4 Vent	4 Vent	4 Vent	4 Vent	4 Vent	4 Vent	4 Vent	4 Vent	4 Vent	Not Available	Not Available
		101 7/8	4 Vent	4 Vent	4 Vent	4 Vent	4 Vent	4 Vent	4 Vent	4 Vent	4 Vent	4 Vent	Not Available	Not Available
	66 66 1/4	107 7/8	4 Vent	4 Vent	4 Vent	4 Vent	4 Vent	4 Vent	4 Vent	4 Vent	4 Vent	Not Available	Not Available	Not Available
		113	4 Vent	4 Vent	4 Vent	4 Vent	4 Vent	4 Vent	4 Vent	4 Vent	4 Vent	Not Available	Not Available	Not Available
72 72 1/4	119	4 Vent	4 Vent	4 Vent	4 Vent	4 Vent	4 Vent	4 Vent	4 Vent	4 Vent	Not Available	Not Available	Not Available	
	125	4 Vent	4 Vent	4 Vent	4 Vent	4 Vent	4 Vent	4 Vent	4 Vent	4 Vent	Not Available	Not Available	Not Available	
78 78 1/4	131	4 Vent	4 Vent	4 Vent	4 Vent	4 Vent	4 Vent	4 Vent	4 Vent	4 Vent	Not Available	Not Available	Not Available	
	137	4 Vent	4 Vent	4 Vent	4 Vent	4 Vent	4 Vent	4 Vent	4 Vent	4 Vent	Not Available	Not Available	Not Available	
84 84 1/4	143	4 Vent	4 Vent	4 Vent	4 Vent	4 Vent	4 Vent	4 Vent	4 Vent	4 Vent	Not Available	Not Available	Not Available	
	149	4 Vent	4 Vent	4 Vent	4 Vent	4 Vent	4 Vent	4 Vent	4 Vent	4 Vent	Not Available	Not Available	Not Available	
90 90 1/4	155	4 Vent	4 Vent	4 Vent	4 Vent	4 Vent	4 Vent	4 Vent	4 Vent	4 Vent	Not Available	Not Available	Not Available	
	161	4 Vent	4 Vent	4 Vent	4 Vent	4 Vent	4 Vent	4 Vent	4 Vent	4 Vent	Not Available	Not Available	Not Available	
96 96 1/4	167	4 Vent	4 Vent	4 Vent	4 Vent	4 Vent	4 Vent	4 Vent	4 Vent	4 Vent	Not Available	Not Available	Not Available	
	173	4 Vent	4 Vent	4 Vent	4 Vent	4 Vent	4 Vent	4 Vent	4 Vent	4 Vent	Not Available	Not Available	Not Available	
102 102 1/4	179	4 Vent	4 Vent	4 Vent	4 Vent	4 Vent	4 Vent	4 Vent	4 Vent	4 Vent	Not Available	Not Available	Not Available	
	185	4 Vent	4 Vent	4 Vent	4 Vent	4 Vent	4 Vent	4 Vent	4 Vent	4 Vent	Not Available	Not Available	Not Available	
106 106 1/4	191	4 Vent	4 Vent	4 Vent	4 Vent	4 Vent	4 Vent	4 Vent	4 Vent	4 Vent	Not Available	Not Available	Not Available	
	197	4 Vent	4 Vent	4 Vent	4 Vent	4 Vent	4 Vent	4 Vent	4 Vent	4 Vent	Not Available	Not Available	Not Available	
113 1/8 113 3/8	203	4 Vent	4 Vent	4 Vent	4 Vent	4 Vent	4 Vent	4 Vent	4 Vent	4 Vent	Not Available	Not Available	Not Available	
	209	4 Vent	4 Vent	4 Vent	4 Vent	4 Vent	4 Vent	4 Vent	4 Vent	4 Vent	Not Available	Not Available	Not Available	

To use this chart with twin and triple units do the following:

Twin unit: divide opening width by 2 then locate that size on the chart above

Triple unit: divide opening width by 3 then locate that size on the chart above



# Horizontal Side Slider

Series SS10

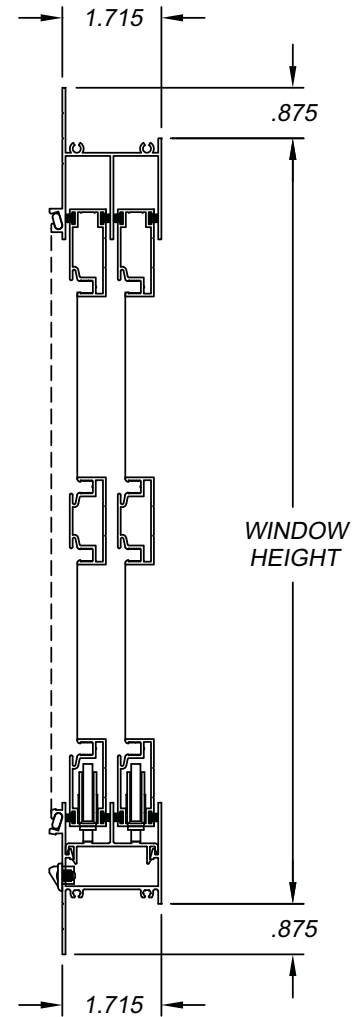
## Outside Mount Features

### STANDARD FEATURES

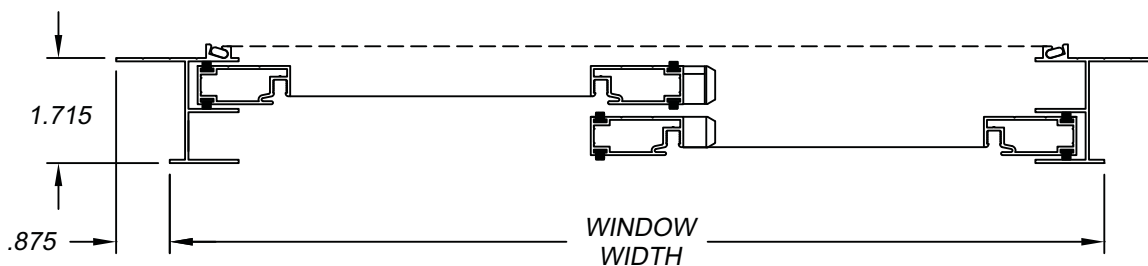
- Outside mount frame
- Aluminum extruded main frame
- White frame color
- 2-track frame depth 1-5/8"
- 4-track frame depth 3-3/8"
- 7/8" front installation flange
- Tank sill with flange
- Glazed with 10-mil clear vinyl
- Equal removable vents
- Factory installed swivel latches
- Spreader bar(s)
- 1814 charcoal screen rolled-in frame
- Neoprene rollers
- Sizing
  - Opening size with 1/8" deduction in width & height

### OPTIONAL FEATURES

- Bronze, beige, or pebble khaki (driftwood) frame color
- Bronze, dark gray, or smoke gray 10-mil vinyl color
- BetterVue® 2020, SunScreen®, and 1816 screen mesh
- Unequal vents
- Pull handle
- Mixed vinyl color in vents
- Configurations with up to 10 vents
- Stacked, staggered, pyramid, condo, and pocket configurations
- Standard or reverse stack
- Sizing
  - Opening size with a 1/4" deduction in width & height
  - Actual unit size with no deductions



### 2-Track Horizontal Side Slider





# Horizontal Side Slider

Series SS10

## Outside Mount Information and Guidelines

**Information necessary for a complete and correct quote/order:**

	Example:	Example:	Example:
1. Product / series number	SS10	SS10	SS10
2. Track quantity	2 track	4 track	2 track
3. Vent quantity	2 vent	6 vent	10 vent
4. Installation frame type	OSM	OSM	OSM
5. Size selection	Opening w/ 1/4"cutback	Opening w/ 1/8"cutback	Actual (No deductions)
6. Size	46" x 79 1/2"	165" x 82"	240" x 98"
7. Unit configuration	Standard	Condo	Standard
8. Vent configuration	Stacked	Pyramid	Staggered
9. Vent stack	Standard	Standard	Reverse
10. Frame color	White	Beige	Pebble khaki
11. Vent glazing	Vinyl	Vinyl	Mixed vinyl
12. Vinyl color or screen options	Clear	Smoke gray	Clear above the spreader bar and dark gray below the spreader bar
13. Spreader bar quantity	1	1	1
14. Screen configuration	Rolled- in frame	No screen	No screen
15. Screen option	1814C	None	None
16. All other desired options must be included at the time of order		KD unit	KD unit

**Note:** Options not listed cannot be incorporated into your quote or order

**Additional order and product information:**

- Opening measurement is preferred:** Our standard cutback (deduction) is 1/8" and will be taken in both width and height. Or you may choose one of our other options: 1/4" cutback or actual unit size (not including installation flange).
- Screen rolled into frame maximum size is 84" x 96" or 96" x 84"
- To ensure exceptional product performance and functionality spreader bars are required on actual unit heights that exceed 48" tall.

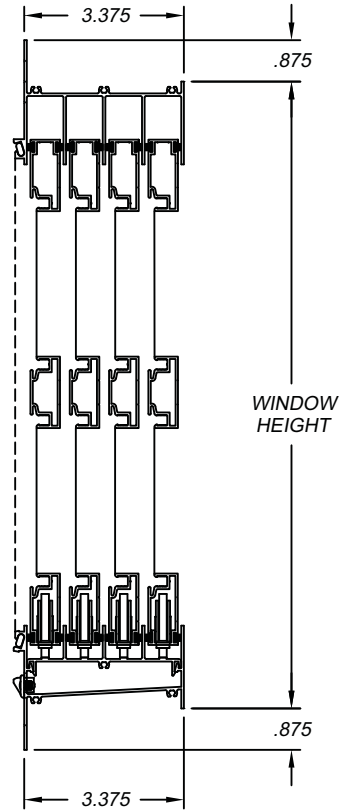
See 2-Track & 4-Track configuration pages 36 - 39 for minimum and maximum size details.

# Horizontal Side Slider

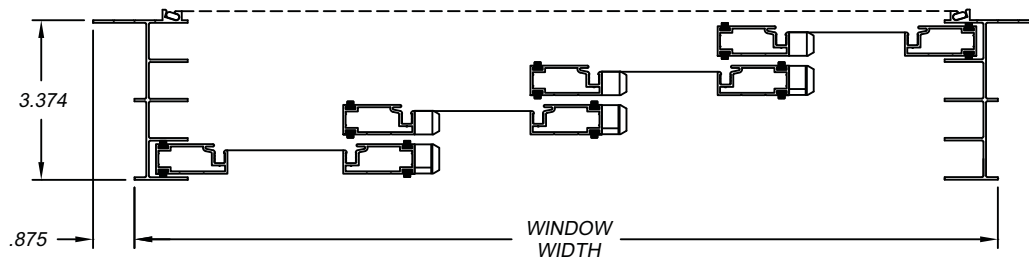
Series SS10

Outside Mount Four-Track Drawings

4 - Track Horizontal Side Slider



4 - Track Horizontal Side Slider

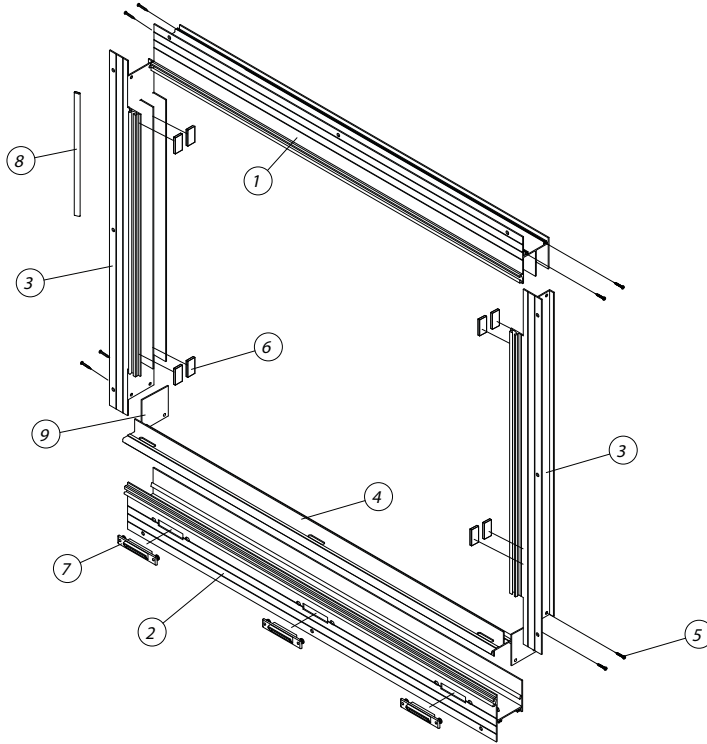


# Horizontal Side Slider

Series SS10

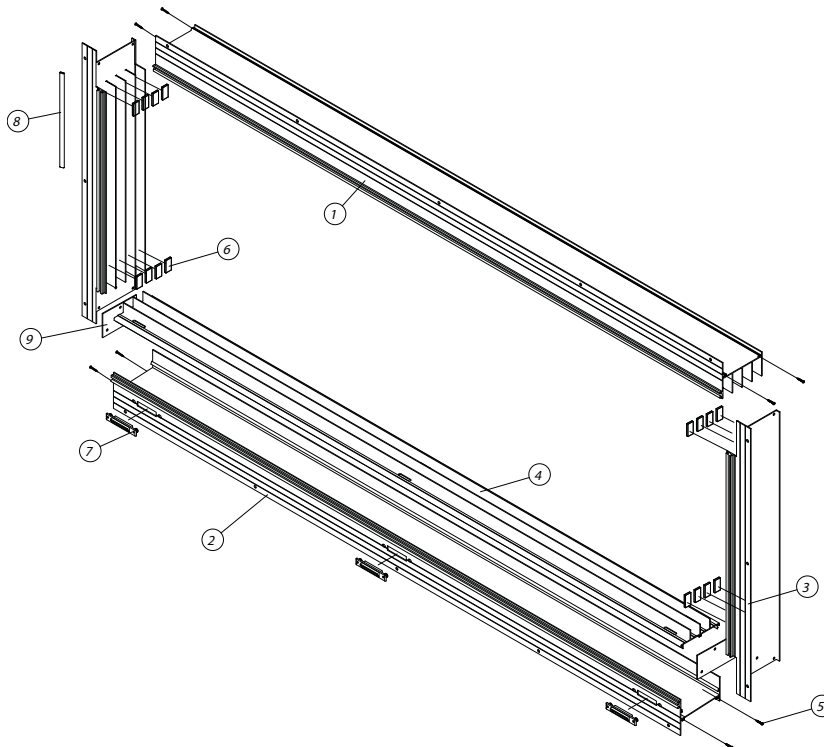
## Exploded View Drawings

### HORIZONTAL SIDE SLIDER OUTSIDE MOUNT FRAME - 2-Track



Item #	Description
1	Frame Head
2	Frame Sill
3	Frame Jamb
4	Track Cover
5	Frame Assembly Screw
6	Main Frame Bumper
7	Weephole Cover
8	Flat Spline
9	2-Track sill gasket

### OUTSIDE MOUNT FRAME - 4-Track



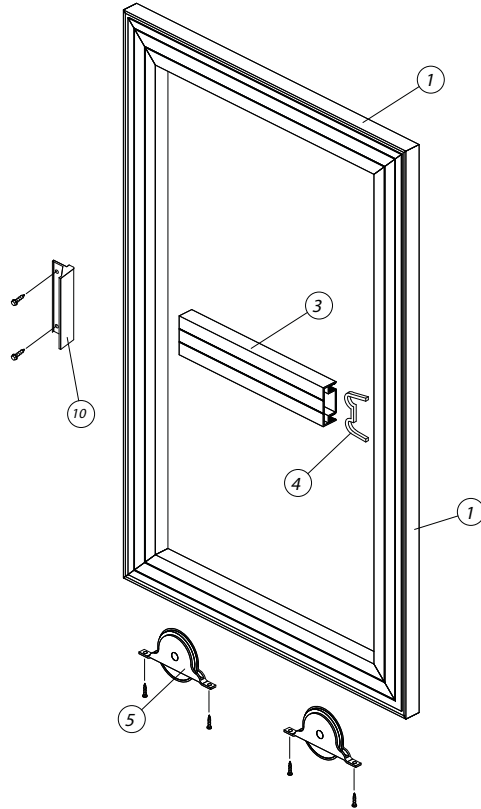
Item #	Description
1	Frame Head
2	Frame Sill
3	Frame Jamb
4	Track Cover
5	Frame Assembly Screw
6	Main Frame Bumper
7	Weephole Cover
8	Flat Spline
9	4-Track sill gasket

# Exploded View Drawings

Series SS10

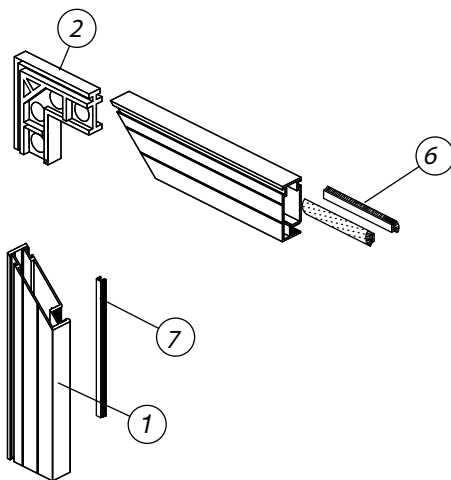
Exploded View Drawings (continued)

## HORIZONTAL SIDE SLIDER VENT ASSEMBLY

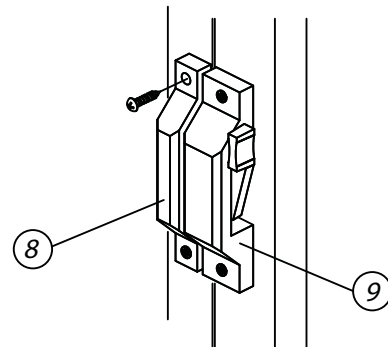


Item #	Description
1	Vent Head, Sill, and Jamb
2	Corner Key
3	Spreader Bar
4	Spreader Bar Clip
5	Neoprene Wheels
6	Vent Weatherstrip
7	Rigid V-spline
8	Swivel Latch Keeper
9	Swivel Latch
10	Pull Handle (optional)

## VENT CORNER ASSEMBLY



## LATCH ASSEMBLY



# Horizontal Side Slider

Series SS10

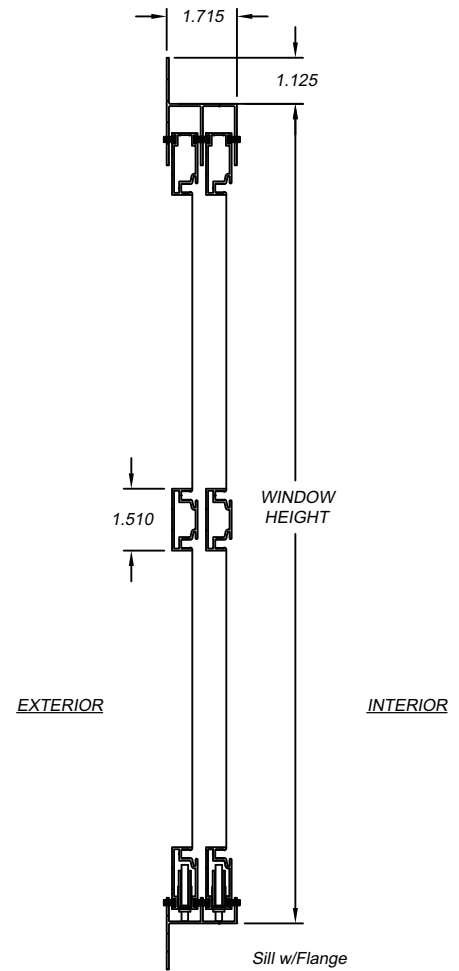
## Inside Mount Features

### STANDARD FEATURES

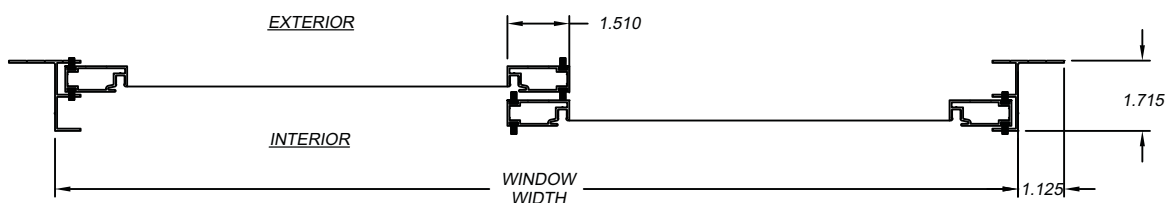
- Inside mount frame
- Aluminum extruded main frame
- White frame color
- 2-track frame depth 1-5/8"
- 4-track frame depth 3-3/8"
- 1-1/8" front installation flange
- Sill with flange
- Glazed with 10-mil clear vinyl
- Equal removable vents
- Factory installed swivel latches
- Spreader bar(s)
- Neoprene rollers
- Sizing
  - Opening size with a 3/8" deduction in width & height

### OPTIONAL FEATURES

- Bronze, beige, or pebble khaki (driftwood) frame color
- Bronze, dark gray, or smoke gray 10-mil vinyl color
- Lip frame screen attached
- BetterVue® 2020, SunScreen®, 1814 or 1816 screen mesh
- Unequal vents
- Pull handle
- Mixed vinyl color in vents
- Configurations with up to 10 vents
- Stacked, staggered, pyramid, condo, and pocket configurations
- Standard or reversed stack
- Regular or reverse mounting
- Sizing
  - Actual unit size with no deductions



### 2-Track Horizontal Side Slider





# Horizontal Side Slider

Series SS10

## Inside Mount Information and Guidelines

**Information necessary for a complete and correct quote/order:**

	<b>Example:</b>	<b>Example:</b>	<b>Example:</b>
1. Product / series number	SS10	SS10	SS10
2. Track quantity	2 track	4 track	2 track
3. Vent quantity	2 vent	6 vent	10 vent
4. Installation frame type	ISM	ISM	ISM
5. Unit mounted	Regular	Reverse	Regular
6. Size Selection	Opening w/ 3/8" cutback	Opening w/ 3/8" cutback	Actual (No deductions)
7. Size	46" x 79 1/2"	165" x 82"	240" x 98"
8. Unit configuration	Standard	Condo	Standard
9. Vent configuration	Stacked	Pyramid	Staggered
10. Vent stack	Standard	Standard	Reverse
11. Frame color	White	Beige	Pebble khaki
12. Vent glazing	Vinyl	Screen	Mixed vinyl
13. Vinyl color or screen options	Clear	White sunscreen	Clear above the spreader bar and dark gray below the spreader bar
14. Spreader bar quantity	1	1	1
15. Screen configuration	Attached lip frame screen	None	No screen
16. Screen option	1814C	None	None
17. All other desired options must be included at the time of order		KD unit	KD unit

**Note:** Options not listed cannot be incorporated into your quote or order

**Additional order and product information:**

- Opening measurement is preferred:** Our standard cutback (deduction) is 3/8" and will be taken in both width and height. You may also order by actual unit size (not including installation flange).
- Lip frame screen attached maximum size is 84" x 96" or 96" x 84"
- To ensure exceptional product performance and functionality, spreader bars are required on actual unit heights that exceed 48" tall.
- Mounting applications must be specified upon ordering to ensure proper weephole placement. *See page 4 for details.*

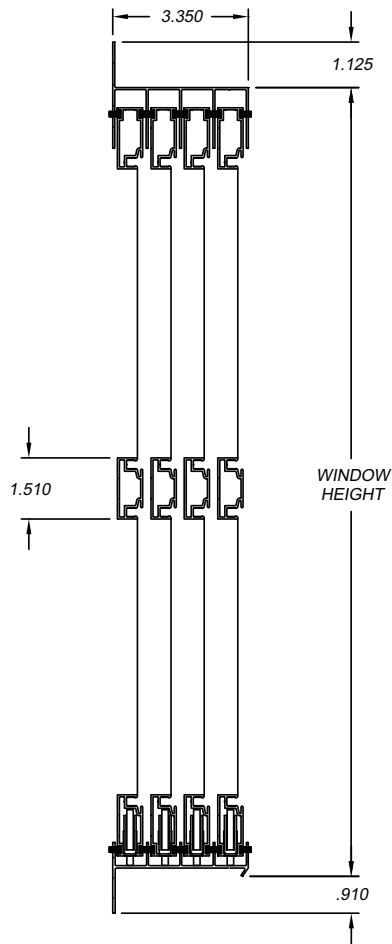
*See 2-Track & 4-Track configuration pages 36 - 39 for minimum and maximum size details.*

# Horizontal Side Slider

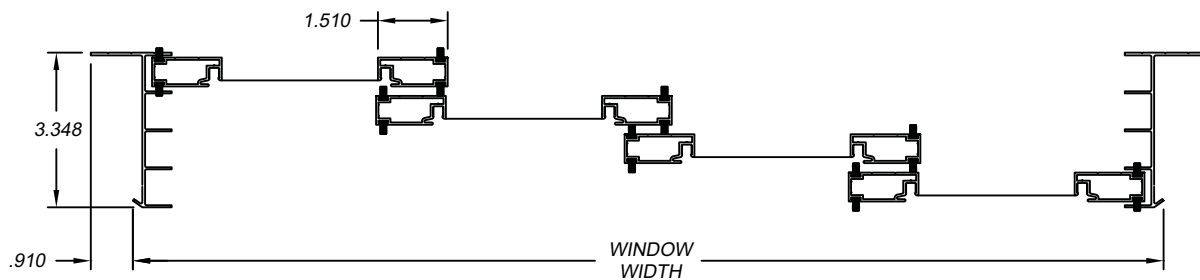
Series SS10

Inside Mount Four-Track Drawings

4 - Track Horizontal Side Slider

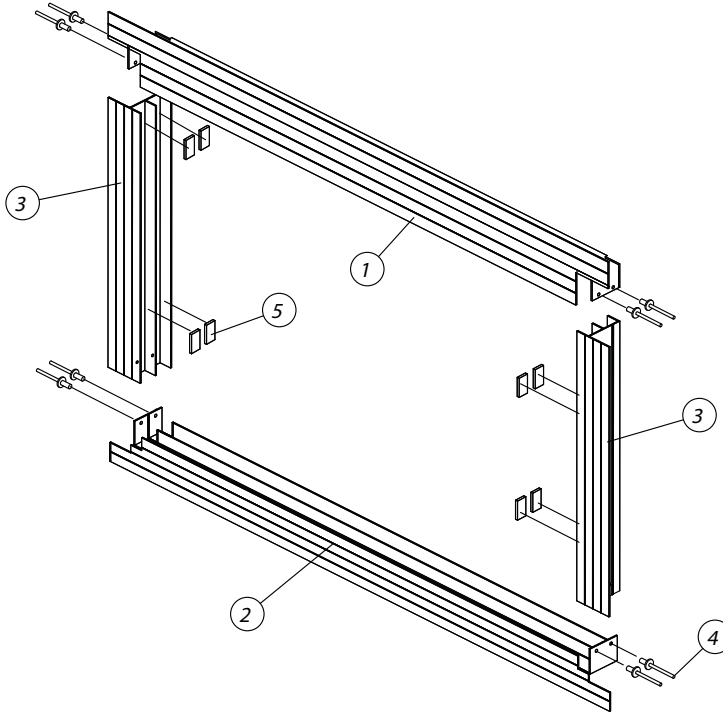


4 - Track Horizontal Side Slider



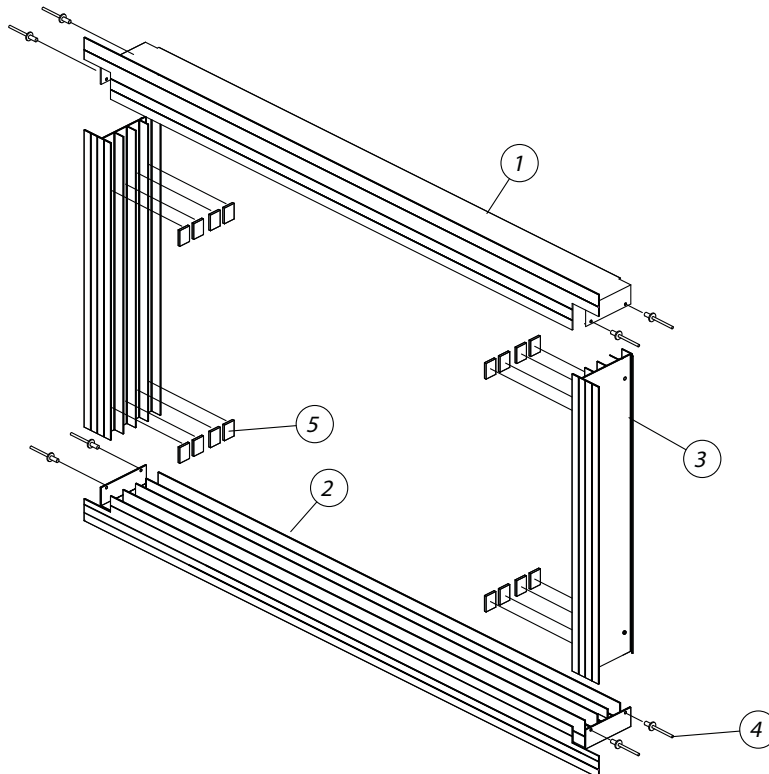


HORIZONTAL SIDE SLIDER  
INSIDE MOUNT FRAME - 2-Track



Item #	Description
1	Frame Head
2	Frame Sill
3	Frame Jamb
4	Frame Assembly Rivet
5	Main Frame Bumper

INSIDE MOUNT FRAME - 4-Track



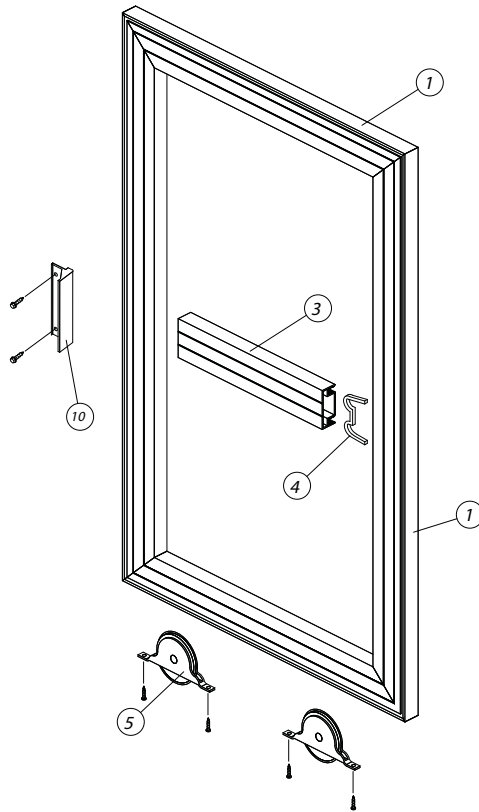
Item #	Description
1	Frame Head
2	Frame Sill
3	Frame Jamb
4	Frame Assembly Rivet
5	Main Frame Bumper

# Horizontal Side Slider

Series SS10

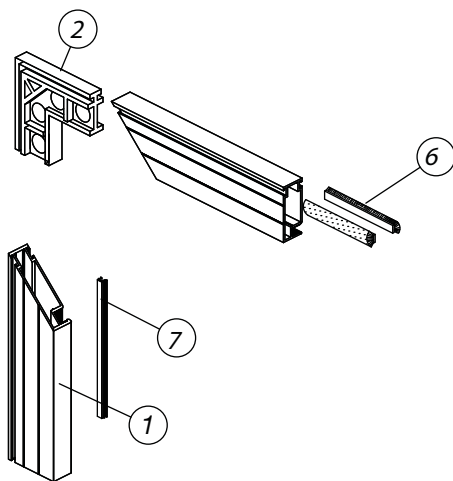
Exploded View Drawings (continued)

## HORIZONTAL SIDE SLIDER VENT ASSEMBLY

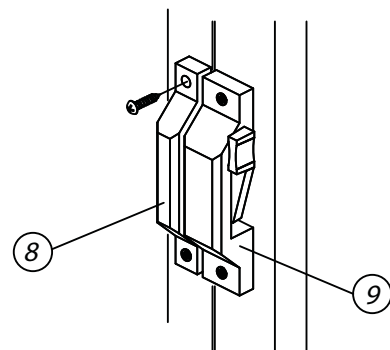


Item #	Description
1	Vent Head, Sill, and Jamb
2	Corner Key
3	Spreader Bar
4	Spreader Bar Clip
5	Neoprene Wheels
6	Vent Weatherstrip
7	Rigid V-spline
8	Swivel Latch Keeper
9	Swivel Latch
10	Pull Handle (optional)

## VENT CORNER ASSEMBLY



## LATCH ASSEMBLY



# Side Slider Garage Door Screen

Series SS30

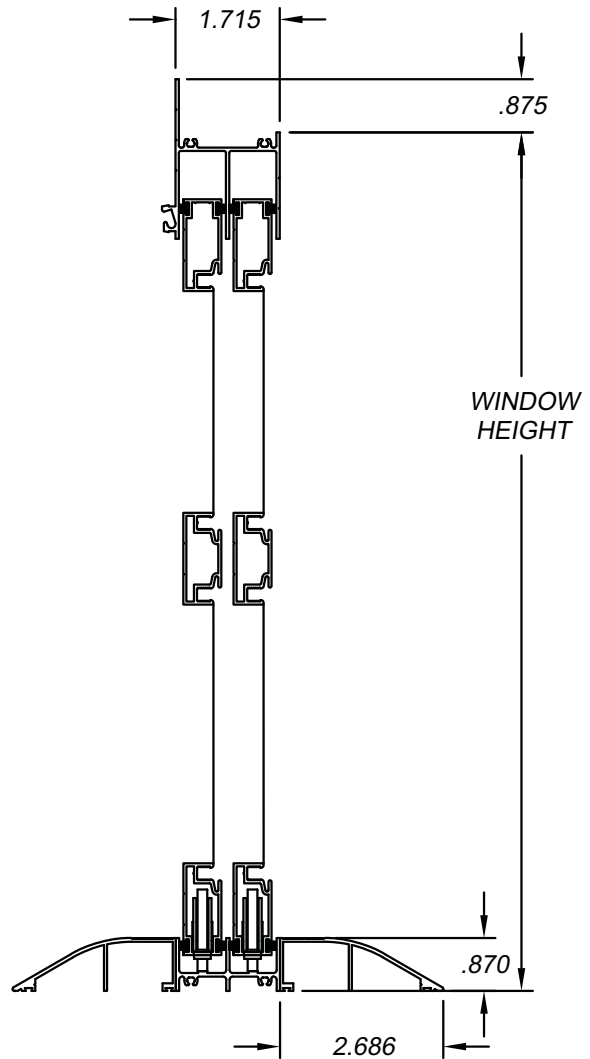
## Outside Mount Features

### STANDARD FEATURES

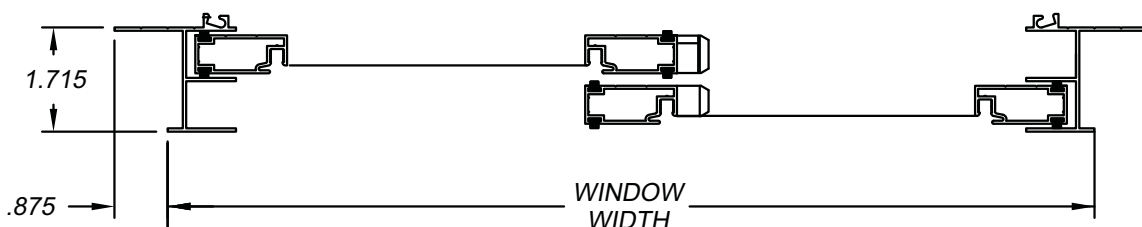
- Outside mount frame
- Aluminum extruded main frame
- White frame color
- 2-track frame depth 1-5/8"
- 4-track frame depth 3-3/8"
- 7/8" front installation flange
- Sill without flange and threshold both sides
- Glazed with 1814 charcoal screen mesh
- Equal removable vents
- Swivel latches sent for field installation
- Spreader bar(s)
- Neoprene rollers
- Factory installed thumb pulls
- Sizing
  - Opening size with 1/8" deduction in width & height

### OPTIONAL FEATURES

- Bronze, beige, or pebble khaki (driftwood) frame color
- Clear, bronze, dark gray, or smoke gray 10-mil vinyl color
- BetterVue® 2020, SunScreen®, and 1816 screen mesh
- Kickplate 8", 12" or 16"
- Unequal vents
- Pull handle
- Threshold one side or none
- Configurations with up to 10 vents
- Stacked, staggered, pyramid, condo, and pocket configurations
- Standard or reverse stack
- Factory installed swivel latches or none
- Sizing
  - Opening size with a 1/4" deduction in width & height
  - Actual unit size with no deductions



2 - Track Side Slider Garage Door Screen





# Side Slider Garage Door Screen

Series SS30

## Outside Mount Information and Guidelines

**Information necessary for a complete and correct quote/order:**

	Example:	Example:	Example:
1. Product / series number	SS30	SS30	SS30
2. Track quantity	2 track	4 track	4 track
3. Vent quantity	2 vent	4 vent	10 vent
4. Installation frame type	OSM	OSM	OSM
5. Size selection	Opening w/ 1/8" cutback	Opening w/ 1/4" cutback	Actual (No deductions)
6. Size	46" x 79 1/2"	165" x 82"	240" x 98"
7. Unit configuration	Standard	Standard	Standard
8. Vent configuration	Stacked	Pyramid	Staggered
9. Vent stack	Standard	Standard	Reverse
10. Frame color	White	Beige	Pebble khaki
11. Vent glazing	Screen	Vinyl	Screen
12. Vinyl color or screen options	1814C	Smoke gray	BetterVue 2020
13. Spreader bar quantity	1	1	1
14. Kickplate height	12"	8"	16"
15. Threshold options	On both sides of sill	None	On one side of sill
16. All other desired options must be included at the time of order		KD unit	KD unit

**Note:** Options not listed cannot be incorporated into your quote or order

**Additional order and product information:**

- Opening measurement is preferred:** Our standard cutback (deduction) is 1/8" and will be taken in both width and height. You may choose one of our other options: 1/4" cutback or actual unit size (not including installation flange).
- To ensure exceptional product performance and functionality, spreader bars are required on actual unit heights that exceed 48" tall

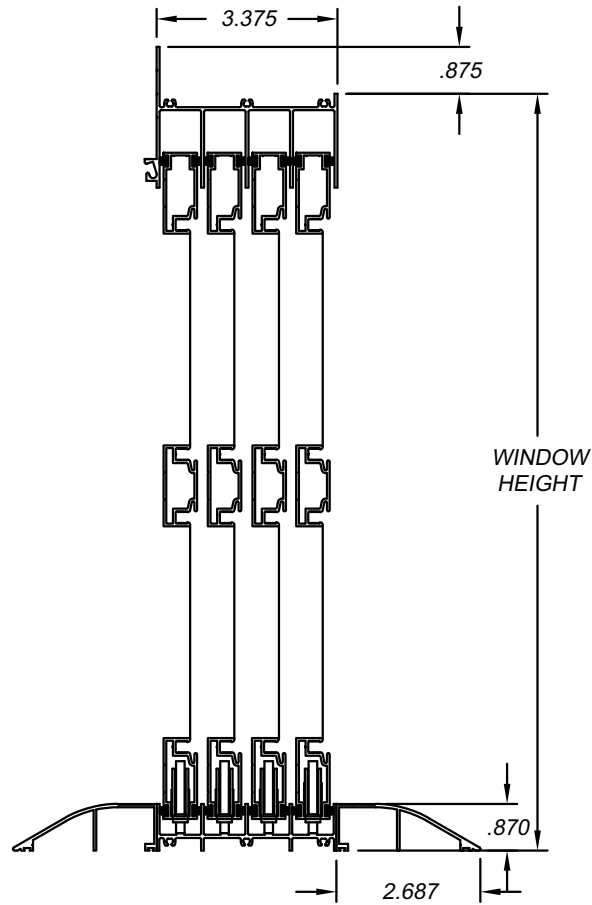
See 2-Track & 4-Track configuration pages 36 - 39 for minimum and maximum size details.

# Side Slider Garage Door Screen

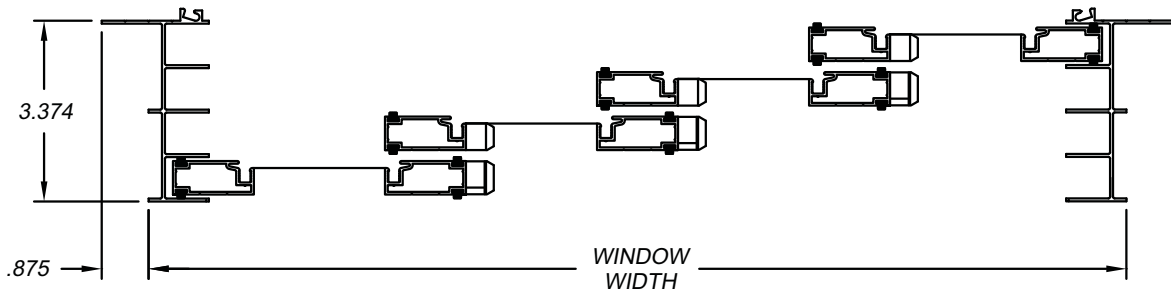
Series SS30

Outside Mount Four-Track Drawings

4 - Track Side Slider Garage Door Screen



4 - Track Side Slider Garage Door Screen

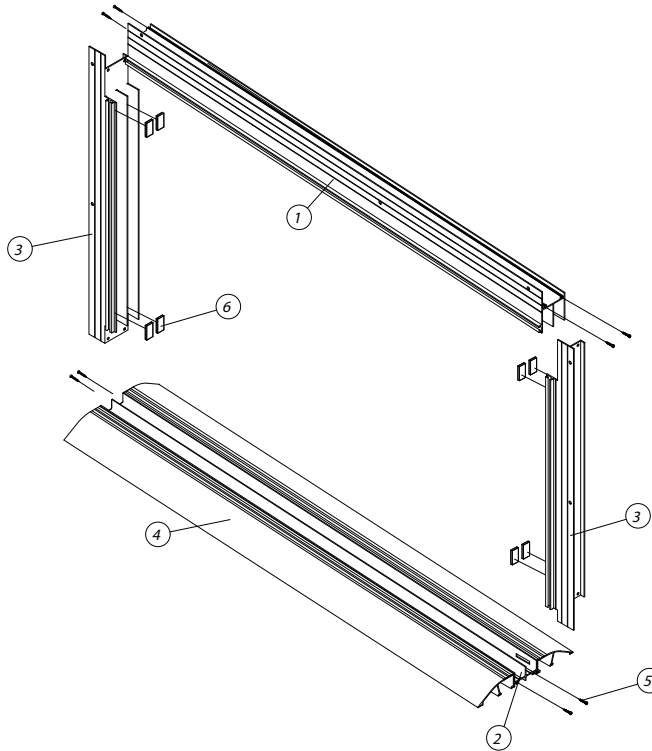


# Side Slider Garage Door Screen

Series SS30

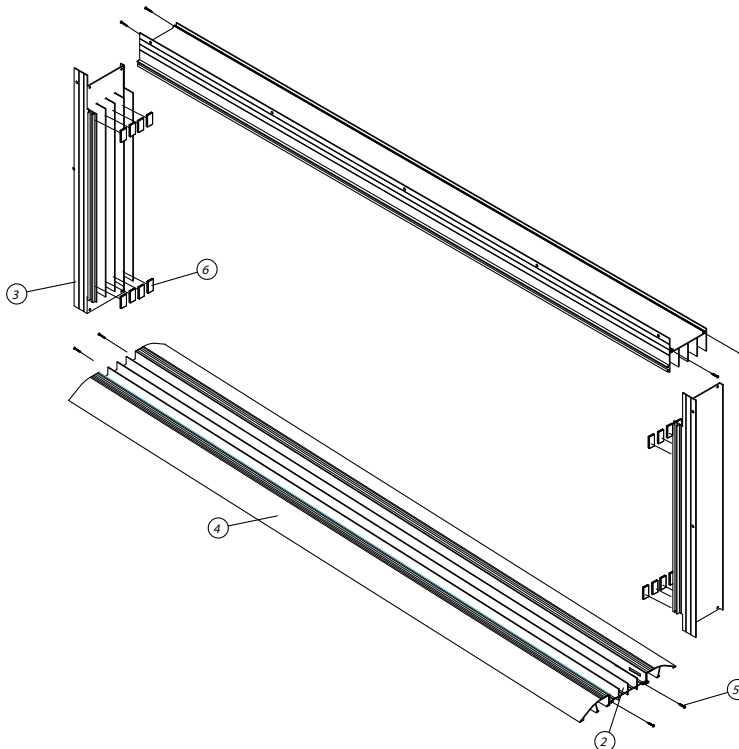
Exploded View Drawings

## SIDE SLIDER GARAGE DOOR SCREEN OUTSIDE MOUNT FRAME - 2-Track



Item #	Description
1	Frame Head
2	Frame Sill
3	Frame Jamb
4	Threshold
5	Frame Assembly Screw
6	Main Frame Bumper

## OUTSIDE MOUNT FRAME - 4-Track



Item #	Description
1	Frame Head
2	Frame Sill
3	Frame Jamb
4	Threshold
5	Frame Assembly Screw
6	Main Frame Bumper

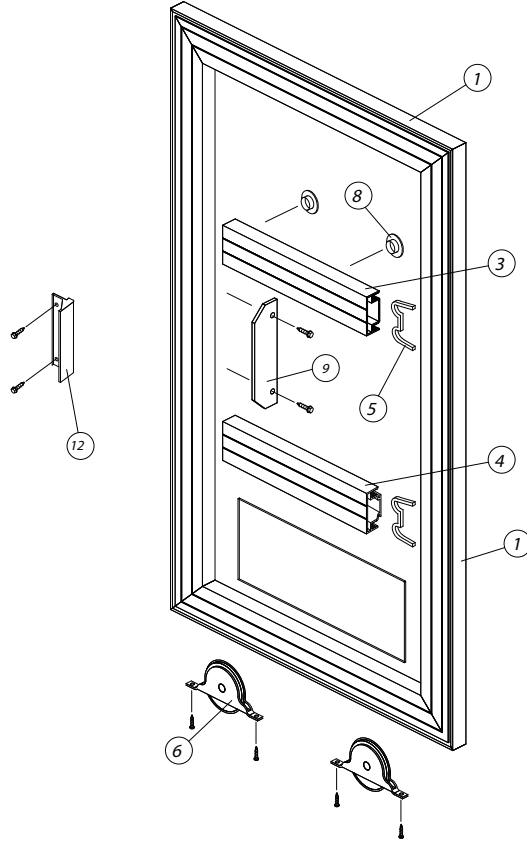
# Side Slider Garage Door Screen

Series SS30

Exploded View Drawings (continued)

## SIDE SLIDER GARAGE DOOR SCREEN

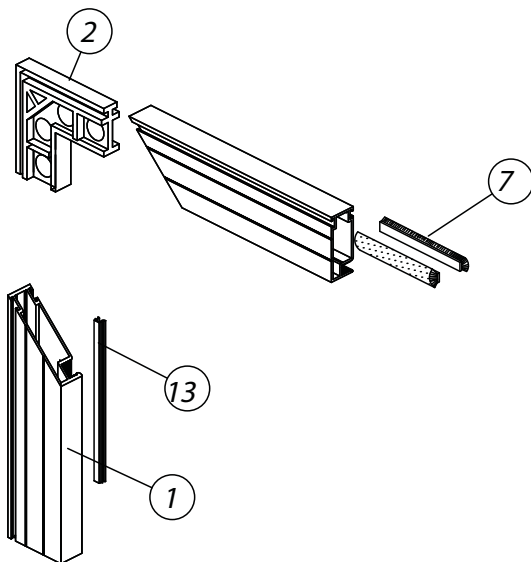
### VENT ASSEMBLY



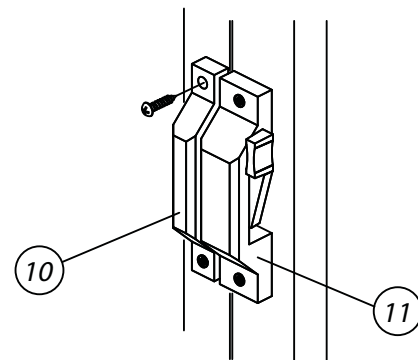
#### Item # Description

- 1 Vent Head, Sill, and Jamb
- 2 Corner Key
- 3 Spreader Bar
- 4 Spreader Bar w/Kickplate Groove
- 5 Spreader Bar Clip
- 6 Neoprene Wheels
- 7 Vent Weatherstrip
- 8 Thumb Pull
- 9 Come-Along
- 10 Swivel Latch Keeper
- 11 Swivel Latch
- 12 Pull Handle (optional)
- 13 Rigid V-Spline (vents)

### VENT CORNER ASSEMBLY



### LATCH ASSEMBLY



# Side Slider Garage Door Screen

Series SS30

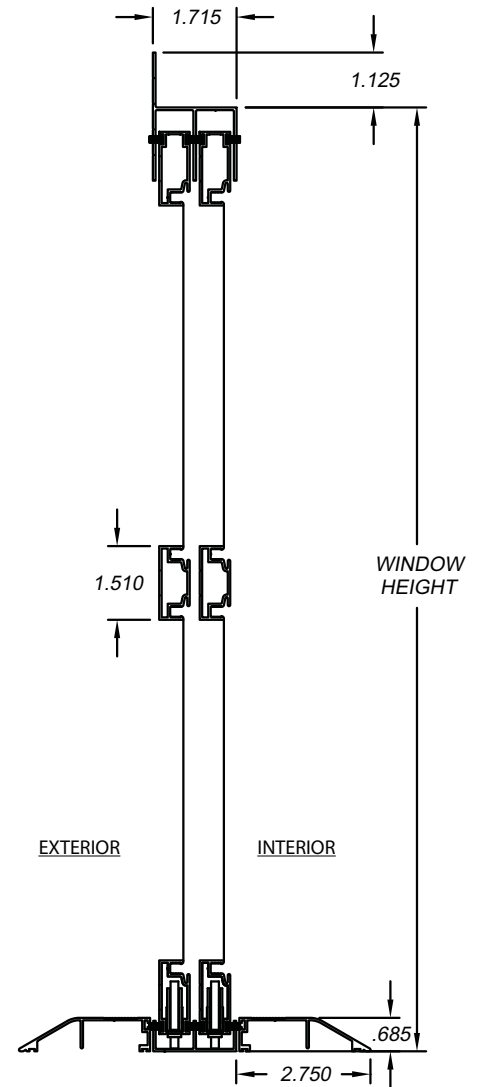
## Inside Mount Features

### STANDARD FEATURES

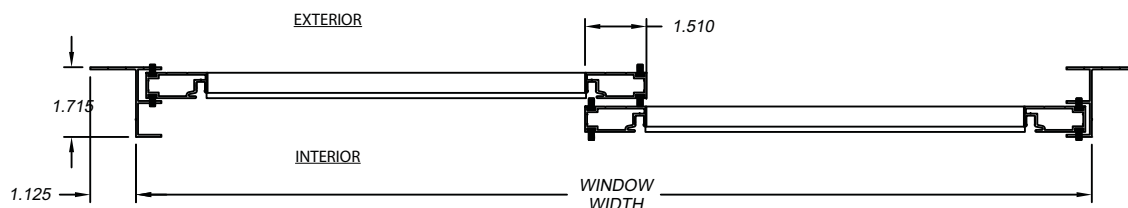
- Inside mount frame
- Aluminum extruded main frame
- White frame color
- 2-track frame depth 1-5/8"
- 4-track frame depth 3-3/8"
- 1-1/8" front installation flange
- Sill without flange and threshold both sides
- Glazed with 1814 charcoal screen mesh
- Equal removable vents
- Swivel latches sent for field installation
- Spreader bar(s)
- Neoprene rollers
- Factory installed thumb pulls
- Sizing
  - Opening size with 1/8" deduction in width & height

### OPTIONAL FEATURES

- Bronze, beige, or pebble khaki (driftwood) frame color
- Clear, bronze, dark gray, or smoke gray 10-mil vinyl color
- BetterVue® 2020, SunScreen®, and 1816 screen mesh
- Kickplate 8", 12" or 16"
- Unequal vents
- Pull handle
- Threshold one side or none
- Configurations with up to 10 vents
- Stacked, staggered, pyramid, condo, and pocket configurations
- Standard or reversed stack
- Regular or reverse mounting
- Factory installed swivel latches or none
- Sizing
  - Actual unit size with no deductions



### 2 - Track Side Slider Garage Door Screen







# Side Slider Garage Door Screen

Series SS30

## Inside Mount Information and Guidelines

**Information necessary for a complete and correct quote/order:**

	<b>Example:</b>	<b>Example:</b>	<b>Example:</b>
1. Product / series number	SS30	SS30	SS30
2. Track quantity	2 track	4 track	4 track
3. Vent quantity	2 vent	4 vent	10 vent
4. Installation frame type	ISM	ISM	ISM
5. Size selection	Opening w/ 1/4" cutback	Opening w/ 3/8" cutback	Actual (No deductions)
6. Size	46" x 79 1/2"	165" x 82"	240" x 98"
7. Unit configuration	Standard	Standard	Standard
8. Vent configuration	Stacked	Pyramid	Staggered
9. Vent stack	Standard	Standard	Reverse
10. Frame color	White	Beige	Pebble khaki
11. Vent Glazing	Vinyl	Screen	Mixed vinyl / screen
12. Vinyl color or screen options	Clear	White sunscreen	1814C above the spreader bar and dark gray below the spreader bar
13. Spreader bar quantity	1	1	1
14. Kickplate height	12"	8"	16"
15. Threshold options	None	On both sides	On both sides
16. All other desired options must be included at the time of order		KD unit	KD unit

**Note:** Options not listed cannot be incorporated into your quote or order

**Additional order and product information:**

- Opening measurement is preferred:** Our standard cutback (deduction) is 1/4" and will be taken in both width and height. You may also order by actual unit size (not including flange).
- To ensure exceptional product performance and functionality, spreader bars are required on actual unit heights that exceed 48" tall.
- Mounting applications must be specified upon ordering to ensure proper weephole placement. *See page 4 for details.*

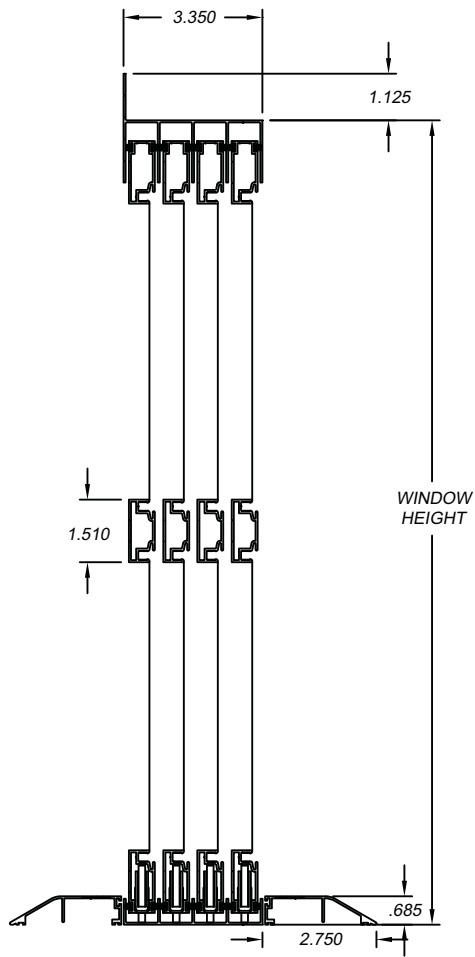
*See 2-Track & 4-Track configuration pages 36 - 39 for minimum and maximum size details.*

# Side Slider Garage Door Screen

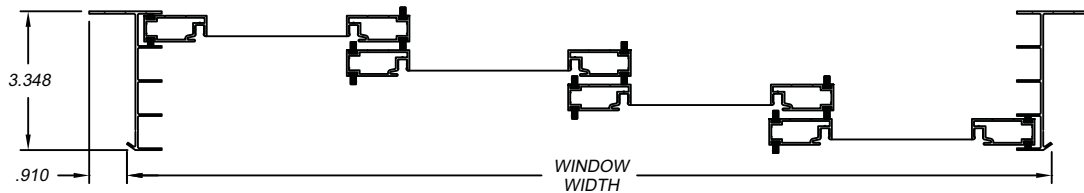
Series SS30

Inside Mount Four-Track Drawings

4 - Track Side Slider Garage Door Screen



4 - Track Side Slider Garage Door Screen

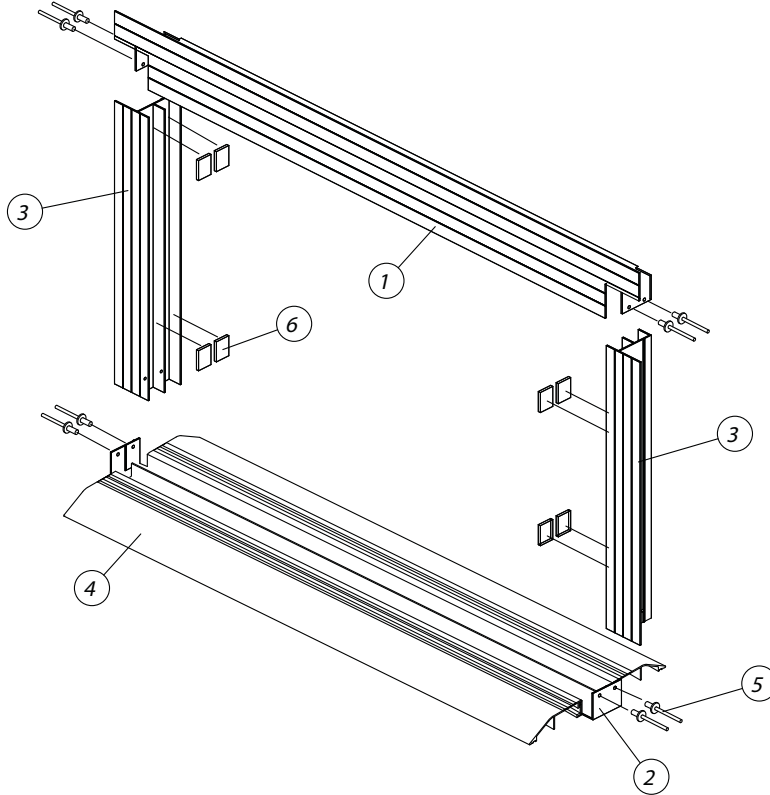


# Side Slider Garage Door Screen

Series SS30

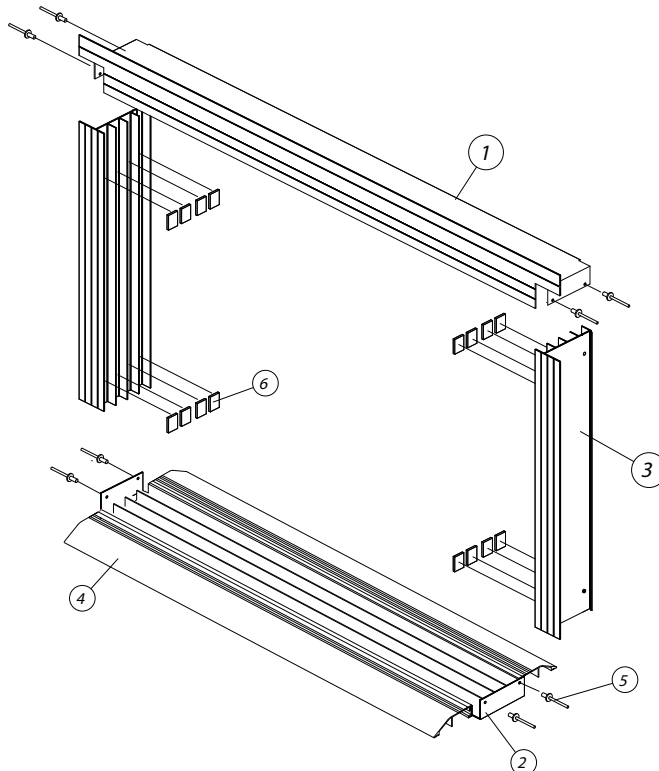
Exploded View Drawings

## SIDE SLIDER GARAGE DOOR SCREEN INSIDE MOUNT FRAME - 2-Track



Item #	Description
1	Frame Head
2	Frame Sill
3	Frame Jamb
4	Threshold
5	Frame Assembly Rivet
6	Main Frame Bumper

## INSIDE MOUNT FRAME - 4-Track



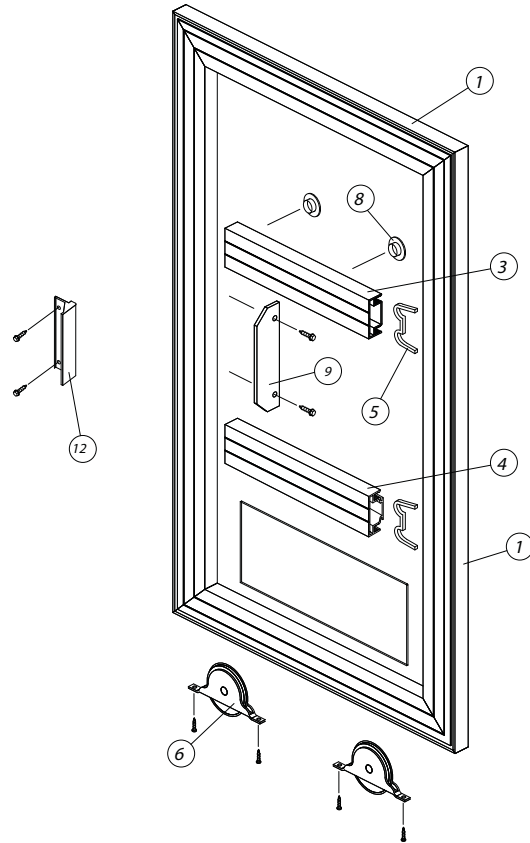
Item #	Description
1	Frame Head
2	Frame Sill
3	Frame Jamb
4	Threshold
5	Frame Assembly Rivet
6	Main Frame Bumper

# Side Slider Garage Door Screen

Series SS30

Exploded View Drawings (continued)

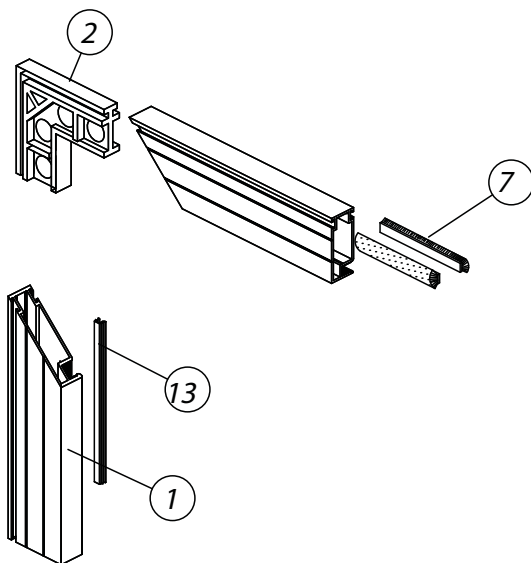
## SIDE SLIDER GARAGE DOOR SCREEN VENT ASSEMBLY



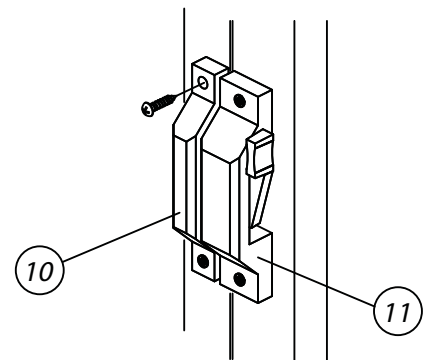
### Item # Description

- 1 Vent Head, Sill, and Jamb
- 2 Corner Key
- 3 Spreader Bar
- 4 Spreader Bar w/Kickplate Groove
- 5 Spreader Bar Clip
- 6 Neoprene Wheels
- 7 Vent Weatherstrip
- 8 Thumb Pull
- 9 Come-Along
- 10 Swivel Latch Keeper
- 11 Swivel Latch
- 12 Pull Handle (optional)
- 13 Rigid V-Spline (vents)

## VENT CORNER ASSEMBLY



## LATCH ASSEMBLY





# Side Slider 2-Track Configurations and Size Chart

## 2-TRACK UNIT CONFIGURATIONS - STACKED

Vent Qty/Configuration	Standard Vent Stack	Reverse Vent Stack	Opening Sizes
<b>2 Vent</b> 2T2V Stacked			Min (Vinyl / Screen) 24" x 10" Max w/Vinyl Vents 108" x 108" Max w/Screen Vents 120" x 108"
<b>3 Vent</b> 2T3V Stacked			Min (Vinyl / Screen) 36" x 10" Max w/Vinyl Vents 162" x 108" Max w/Screen Vents 180" x 108"
<b>4 Vent</b> 2T4V Stacked			Min (Vinyl / Screen) 48" x 10" Max w/Vinyl Vents 216" x 108" Max w/Screen Vents 240" x 108"
<b>6 Vent</b> 2T6V Stacked			Min (Vinyl / Screen) 72" x 10" Max w/Vinyl Vents 240" x 108" Max w/Screen Vents 240" x 108"
<b>8 Vent</b> 2T8V Stacked			Min (Vinyl / Screen) 96" x 10" Max w/Vinyl Vents 240" x 108" Max w/Screen Vents 240" x 108"

## 2-TRACK UNIT CONFIGURATIONS - STAGGERED

Vent Qty/Configuration	Standard Vent Stack	Reverse Vent Stack	Opening Sizes
<b>4 Vent</b> 2T4V Staggered			Min (Vinyl / Screen) 48" x 10" Max w/Vinyl Vents 216" x 108" Max w/Screen Vents 240" x 108"
<b>5 Vent</b> 2T5V Staggered			Min (Vinyl / Screen) 60" x 10" Max w/Vinyl Vents 240" x 108" Max w/Screen Vents 240" x 108"
<b>6 Vent</b> 2T6V Staggered			Min (Vinyl / Screen) 72" x 10" Max w/Vinyl Vents 240" x 108" Max w/Screen Vents 240" x 108"
<b>7 Vent</b> 2T7V Staggered			Min (Vinyl / Screen) 84" x 10" Max w/Vinyl Vents 240" x 108" Max w/Screen Vents 240" x 108"
<b>8 Vent</b> 2T8V Staggered			Min (Vinyl / Screen) 96" x 10" Max w/Vinyl Vents 240" x 108" Max w/Screen Vents 240" x 108"
<b>10 Vent</b> 2T10V Staggered			Min (Vinyl / Screen) 120" x 10" Max w/Vinyl Vents 240" x 108" Max w/Screen Vents 240" x 108"

## 2-TRACK UNIT CONFIGURATIONS - PYRAMID

Vent Qty/Configuration	Standard Vent Stack	Reverse Vent Stack	Opening Sizes
<b>3 Vent</b> 2T3V Pyramid			Min (Vinyl / Screen) 36" x 10" Max w/Vinyl Vents 162" x 108" Max w/Screen Vents 180" x 108"
<b>4 Vent</b> 2T4V Pyramid			Min (Vinyl / Screen) 48" x 10" Max w/Vinyl Vents 216" x 108" Max w/Screen Vents 240" x 108"
<b>6 Vent</b> 2T6V Pyramid			Min (Vinyl / Screen) 72" x 10" Max w/Vinyl Vents 240" x 108" Max w/Screen Vents 240" x 108"
<b>9 Vent</b> 2T9V Pyramid			Min (Vinyl / Screen) 108" x 10" Max w/Vinyl Vents 240" x 108" Max w/Screen Vents 240" x 108"



# Side Slider 2-Track Configurations and Size Chart

## 2-TRACK UNIT CONFIGURATIONS - CONDO STACKED

Vent Qty/Configuration	Standard Vent Stack	Reverse Vent Stack	Opening Sizes
<b>3 Vent</b> 2T3V Condo Stacked			Min (Vinyl / Screen) 24" x 10" Max (Vinyl Vents) 108" x 108" Max (Screen Vents) 120" x 108"
<b>4 Vent</b> 2T4V Condo Stacked			Min (Vinyl / Screen) 36" x 10" Max w/Vinyl Vents 162" x 108" Max w/Screen Vents 180" x 108"
<b>6 Vent</b> 2T6V Condo Stacked			Min (Vinyl / Screen) 48" x 10" Max w/Vinyl Vents 216" x 108" Max w/Screen Vents 240" x 108"
<b>9 Vent</b> 2T9V Condo Stacked			Min (Vinyl / Screen) 72" x 10" Max w/Vinyl Vents 240" x 108" Max w/Screen Vents 240" x 108"

## 2-TRACK UNIT CONFIGURATIONS - CONDO STAGGERED

Vent Qty/Configuration	Standard Vent Stack	Reverse Vent Stack	Opening Sizes
<b>6 Vent</b> 2T6V Condo Staggered			Min (Vinyl / Screen) 48" x 10" Max w/Vinyl Vents 216" x 108" Max w/Screen Vents 240" x 108"
<b>9 Vent</b> 2T9V Condo Staggered			Min (Vinyl / Screen) 72" x 10" Max w/Vinyl Vents 240" x 108" Max w/Screen Vents 240" x 108"

## 2-TRACK UNIT CONFIGURATIONS - CONDO PYRAMID

Vent Qty/Configuration	Standard Vent Stack	Reverse Vent Stack	Opening Sizes
<b>4 Vent</b> 2T4V Condo Pyramid		N/A	Min (Vinyl / Screen) 36" x 10" Max w/Vinyl Vents 162" x 108" Max w/Screen Vents 180" x 108"
<b>6 Vent</b> 2T6V Condo Pyramid		N/A	Min (Vinyl / Screen) 48" x 10" Max w/Vinyl Vents 216" x 108" Max w/Screen Vents 240" x 108"
<b>8 Vent</b> 2T8V Condo Pyramid		N/A	Min (Vinyl / Screen) 72" x 10" Max w/Vinyl Vents 240" x 108" Max w/Screen Vents 240" x 108"

## 2-TRACK UNIT CONFIGURATIONS - POCKET

Vent Qty/Configuration	Standard Vent Stack	Reverse Vent Stack	Opening Sizes
<b>2 Vent</b> 2T2V Stacked Single Pocket (Viewed from inside - Pocket Left shown)			Min (Vinyl / Screen) 24" x 10" Max w/Vinyl Vents 108" x 108" Max w/Screen Vents 120" x 108"
<b>2 Vent</b> 2T2V Stacked Double Pocket		N/A	Min (Vinyl / Screen) 24" x 10" Max w/Vinyl Vents 108" x 108" Max w/Screen Vents 120" x 108"
<b>3 Vent</b> 2T3V Pyramid Double Pocket		N/A	Min (Vinyl / Screen) 36" x 10" Max w/Vinyl Vents 162" x 108" Max w/Screen Vents 180" x 108"
<b>4 Vent</b> 2T4V Pyramid Double Pocket		N/A	Min (Vinyl / Screen) 48" x 10" Max w/Vinyl Vents 216" x 108" Max w/Screen Vents 240" x 108"



# Side Slider 4-Track Configurations and Size Chart

## 4-TRACK UNIT CONFIGURATIONS - STACKED

Vent Qty/Configuration	Standard Vent Stack	Reverse Vent Stack	Opening Sizes
<b>3 Vent</b> 4T3V Stacked			Min (Vinyl / Screen) 36" x 10" Max w/Vinyl Vents 162" x 108" Max w/Screen Vents 180" x 108"
<b>4 Vent</b> 4T4V Stacked			Min (Vinyl / Screen) 48" x 10" Max w/Vinyl Vents 216" x 108" Max w/Screen Vents 240" x 108"
<b>5 Vent</b> 4T5V Stacked			Min (Vinyl / Screen) 60" x 10" Max w/Vinyl Vents 240" x 108" Max w/Screen Vents 240" x 108"

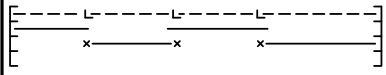
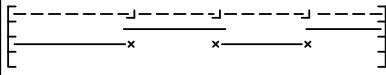
## 4-TRACK UNIT CONFIGURATIONS - PYRAMID

Vent Qty/Configuration	Standard Vent Stack	Reverse Vent Stack	Opening Sizes
<b>5 Vent</b> 4T5V Pyramid			Min (Vinyl / Screen) 72" x 10" Max w/Vinyl Vents 240" x 108" Max w/Screen Vents 240" x 108"
<b>6 Vent</b> 4T6V Pyramid			Min (Vinyl / Screen) 72" x 10" Max w/Vinyl Vents 240" x 108" Max w/Screen Vents 240" x 108"
<b>8 Vent</b> 4T8V Pyramid			Min (Vinyl / Screen) 96" x 10" Max w/Vinyl Vents 240" x 108" Max w/Screen Vents 240" x 108"

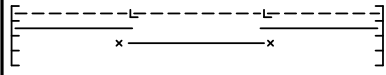
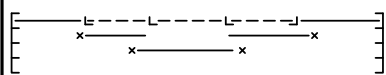
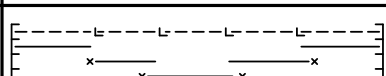
## 4-TRACK UNIT CONFIGURATIONS - CONDO STACKED

Vent Qty/Configuration	Standard Vent Stack	Reverse Vent Stack	Opening Sizes
<b>3 Vent</b> 4T3V Condo Stacked			Min (Vinyl / Screen) 24" x 10" Max w/Vinyl Vents 108" x 108" Max w/Screen Vents 120" x 108"
<b>4 Vent</b> 4T4V Condo Stacked Fixed Screen			Min (Vinyl / Screen) 24" x 10" Max w/Vinyl Vents 108" x 108" Max w/Screen Vents 120" x 108"
<b>4 Vent</b> 4T4V Condo Stacked Operable Screen			Min (Vinyl / Screen) 24" x 10" Max w/Vinyl Vents 108" x 108" Max w/Screen Vents 120" x 108"
<b>5 Vent</b> 4T5V Condo Stacked			Min (Vinyl / Screen) 60" x 10" Max w/Vinyl Vents 162" x 108" Max w/Screen Vents 240" x 108"
<b>6 Vent</b> 4T6V Condo Stacked			Min (Vinyl / Screen) 72" x 10" Max w/Vinyl Vents 162" x 108" Max w/Screen Vents 240" x 108"
<b>7 Vent</b> 4T7V Condo Stacked			Min (Vinyl / Screen) 72" x 10" Max w/Vinyl Vents 216" x 108" Max w/Screen Vents 240" x 108"
<b>9 Vent</b> 4T9V Condo Stacked			Min (Vinyl / Screen) 108" x 10" Max w/Vinyl Vents 240" x 108" Max w/Screen Vents 240" x 108"

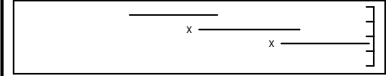
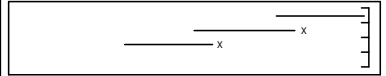
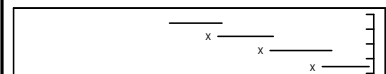
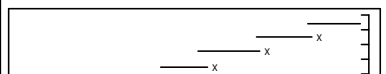
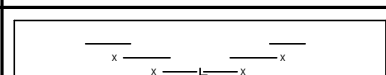
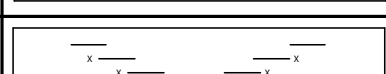
### 4-TRACK UNIT CONFIGURATIONS - CONDO STAGGERED

Vent Qty/Configuration	Standard Vent Stack	Reverse Vent Stack	Opening Sizes
<b>8 Vent</b> 4T8V Condo Staggered			Min (Vinyl / Screen) 48" x 10" Max w/Vinyl Vents 216" x 108" Max w/Screen Vents 240" x 108"

### 4-TRACK UNIT CONFIGURATIONS - CONDO PYRAMID

Vent Qty/Configuration	Standard Vent Stack	Reverse Vent Stack	Opening Sizes
<b>6 Vent</b> 4T6V Condo Pyramid		N/A	Min (Vinyl / Screen) 36" x 10" Max w/Vinyl Vents 162" x 108" Max w/Screen Vents 180" x 108"
<b>8 Vent</b> 4T8V Condo Pyramid		N/A	Min (Vinyl / Screen) 60" x 10" Max w/Vinyl Vents 240" x 108" Max w/Screen Vents 240" x 108"
<b>10 Vent</b> 4T10V Condo Pyramid		N/A	Min (Vinyl / Screen) 60" x 10" Max w/Vinyl Vents 240" x 108" Max w/Screen Vents 240" x 108"

### 4-TRACK UNIT CONFIGURATIONS - POCKET

Vent Qty/Configuration	Standard Vent Stack	Reverse Vent Stack	Opening Sizes
<b>3 Vent</b> 4T3V Stacked Single Pocket (Viewed from inside - Pocket Left shown)			Min (Vinyl / Screen) 36" x 10" Max w/Vinyl Vents 162" x 108" Max w/Screen Vents 180" x 108"
<b>4 Vent</b> 4T4V Stacked Single Pocket (Viewed from inside - Pocket Left shown)			Min (Vinyl / Screen) 48" x 10" Max w/Vinyl Vents 216" x 108" Max w/Screen Vents 240" x 108"
<b>6 Vent</b> 4T6V Pyramid Double Pocket		N/A	Min (Vinyl / Screen) 72" x 10" Max w/Vinyl Vents 240" x 108" Max w/Screen Vents 240" x 108"
<b>8 Vent</b> 4T8V Pyramid Double Pocket		N/A	Min (Vinyl / Screen) 96" x 10" Max w/Vinyl Vents 240" x 108" Max w/Screen Vents 240" x 108"



# Removable Vent Fixed Lite

Series RV20

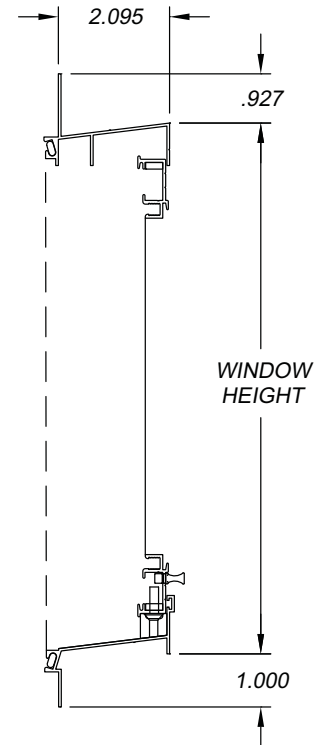
## Outside Mount Features

### STANDARD FEATURES

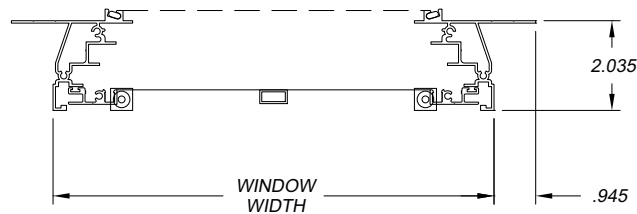
- Outside mount frame
- Aluminum extruded main frame
- White frame color
- Frame depth 2"
- 1" front installation flange
- Glazed with 10-mil clear vinyl
- Tilt in, removable vent
- Spreader bar(s)
- 1814 charcoal screen rolled-in frame
- Sizing
  - Opening size with 1/8" deduction in width & height

### OPTIONAL FEATURES

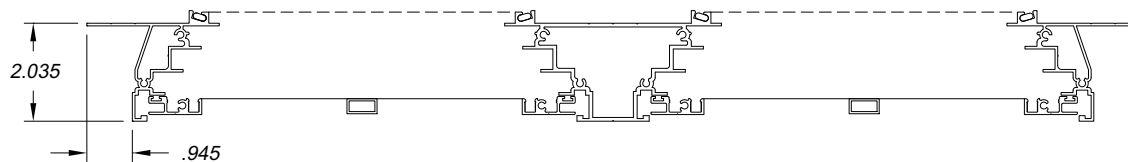
- Bronze, beige, pebble khaki (driftwood) frame color
- Bronze, dark gray, or smoke gray 10-mil vinyl color
- BetterVue® 2020, SunScreen®, and 1816 screen mesh
- 2 Vent Stereo (twin), 3 Vent Stereo (triple)
- Sizing
  - Opening size with 1/4" deduction in width & height
  - Actual unit size with no deductions



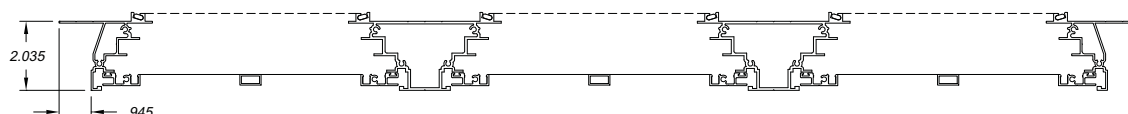
Single



Triple



Twin





# Removable Vent Fixed Lite

Series RV20

## Outside Mount Information and Guidelines

**Information necessary for a complete and correct quote/order:**

	<b>Example:</b>	<b>Example:</b>	<b>Example:</b>
1. Product / series number	RV20	RV20	RV20
2. Unit configuration	Single	Twin	Triple
3. Size selection	Opening with 1/4" cutback	Opening with 1/8" cutback	Actual (No deductions)
4. Size	49 1/2" x 18"	80" x 32"	140" x 25"
5. Spreader bar quantity	2	1	1
6. Frame color	White	Beige	Bronze
7. Vent glazing	Clear	Smoke gray	Bronze
8. Screen configuration	Rolled-in frame 1814C	Rolled - in frame BetterVue	No screen
9. All other desired options must be included at the time of order			

**Note:** Options not listed cannot be incorporated into your quote or order

**Additional order and product information:**

- Opening measurement is preferred:** Our standard cutback (deduction) is 1/8" and will be taken in both width and height. You may choose one of our other options: 1/4" cutback or actual unit size (not including installation flange).
- To ensure exceptional product performance and functionality, spreader bars are required on actual unit widths that exceed 30" wide.

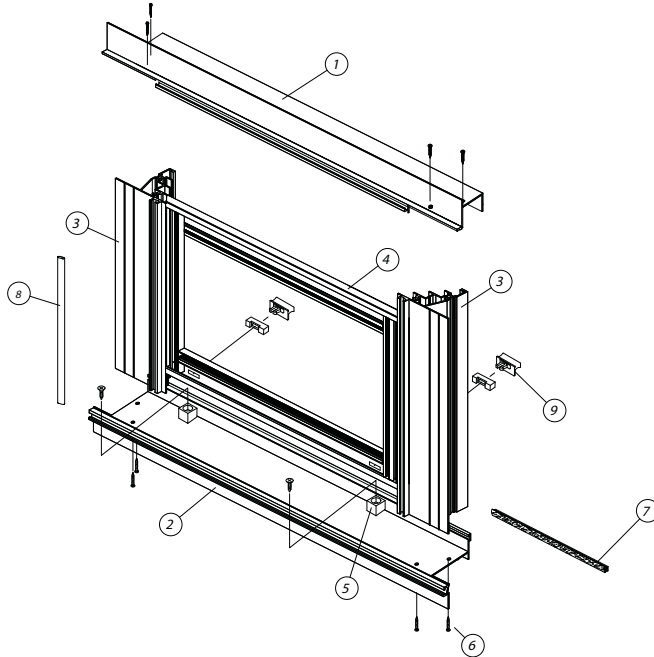
3. Sizes and configurations:	<b>Minimum Actual Size :</b>	<b>Maximum Actual Size :</b>
Single Unit	12" x 8"	72" x 32"
Twin Unit	42" x 8"	108" x 32"
Triple Unit	72" X 8"	144" x 32"

# Removable Vent Fixed Lite

Series RV20

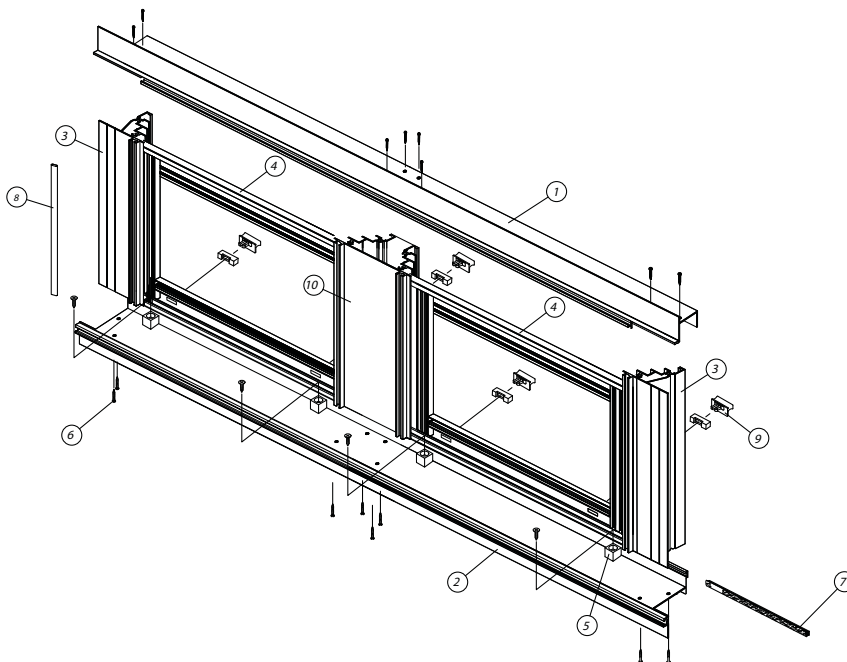
Exploded View Drawings

## REMOVABLE VENT FIXED LITE OUTSIDE MOUNT FRAME & VENT - Single



Item #	Description
1	Frame Head
2	Frame Sill
3	Frame Jamb
4	Vent (assembled)
5	Lift Out Spacer
6	Frame Assembly Screws
7	Frame Sill Weatherstrip
8	Flat Spline
9	Finger Pulls

## OUTSIDE MOUNT FRAME & VENT - Twin



Item #	Description
1	Frame Head
2	Frame Sill
3	Frame Jamb
4	Vent (assembled)
5	Lift Out Spacer
6	Frame Assembly Screws
7	Frame Sill Weatherstrip
8	Flat Spline
9	Finger Pulls
10	Intermediate Frame Jamb

# Heavy Duty Lip Frame Fixed Lite

Series HLF20

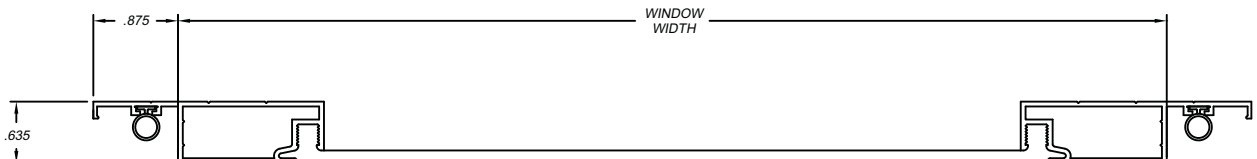
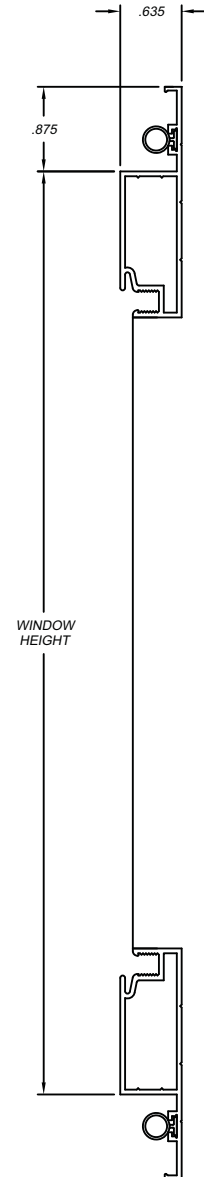
## Features

### STANDARD FEATURES

- Aluminum extruded main frame
- White frame color
- Frame depth 5/8"
- 7/8" front installation flange
- Glazed with 10-mil clear vinyl
- Spreader bar(s)
- Fully weatherstripped frame
- Sizing
  - Opening size with 1/8" deduction in width & height

### OPTIONAL FEATURES

- Bronze, beige, or pebble khaki (driftwood) frame color
- Bronze, dark gray, or smoke gray 10-mil vinyl color
- BetterVue® 2020, SunScreen®, 1814 or 1816 screen mesh
- Available as a trapezoid shape
- Sizing
  - Opening size with a 1/4" deduction in width & height
  - Opening size with 3/8" deduction in width & height
  - Actual unit size with no deductions





# Heavy Duty Lip Frame Fixed Lite

Series HLF20

## Information and Guidelines

**Information necessary for a complete and correct quote/order:**

1. Product / series number
2. Size selection
3. Size
4. Frame color
5. Vent glazing
6. Spreader bar quantity
7. All other desired options must be included at the time of order

**Example:**

HLF20  
 Opening with 1/4" cutback  
 49 1/2" x 18"  
 White  
 Clear  
 1 vertical

**Example:**

HLF20  
 Opening with 3/8" cutback  
 84" x 62 1/2"  
 Beige  
 Smoke gray  
 2 vertical

**Example:**

HLF20  
 Actual (No deductions)  
 25" x 124"  
 Pebble khaki  
 Bronze  
 2 horizontal

**Note:** Options not listed cannot be incorporated into your quote or order

**Additional order and product information:**

1. **Opening measurement is preferred:** Our standard cutback (deduction) is 1/8" and will be taken in both width and height. You may choose one of our other options: 1/4", 3/8" cutback, or actual unit size (not including installation flange).

2. To ensure exceptional product performance and functionality, spreader bars are required on actual unit size that exceed 60" x 48" or 48" x 60".

3. Sizes and configurations:

- Lip Frame with (vinyl)
- Lip Frame with (screen)

**Minimum Actual Size :**

5 1/2" x 5 1/2"  
 5 1/2" x 5 1/2"

**Maximum Actual Size :**

144" x 50 1/2" or 50 1/2" x 144"  
 124" x 84" or 84" x 124"

- Trapezoid with (vinyl)
- Trapezoid with (screen)

5 1/2" x 5 1/2" w/ min leg height of 4"  
 5 1/2" x 5 1/2" w/ min leg height of 4"

144" x 50 1/2" or 50 1/2" x 144"  
 124" x 84" or 84" x 124"

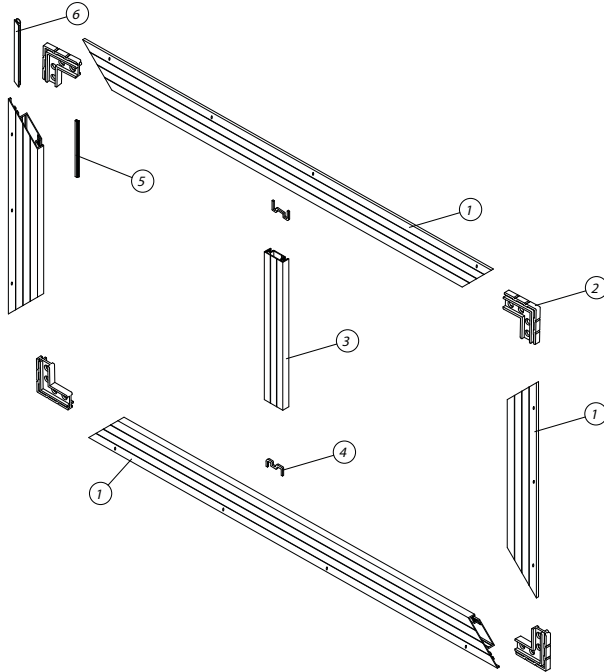
# Heavy Duty Lip Frame Fixed Lite

Series HLF20

## Exploded View Drawings

### HEAVY DUTY LIP FRAME

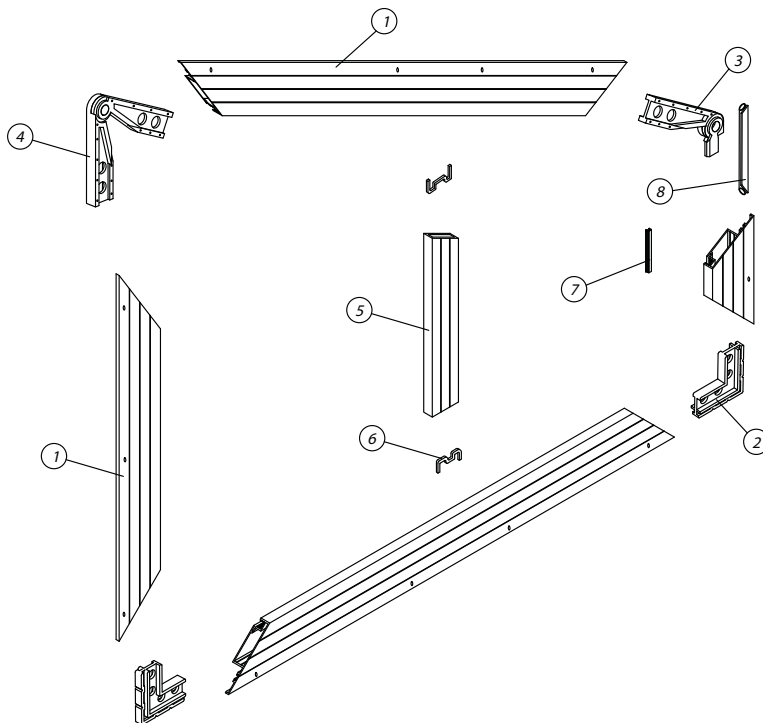
#### FRAME - Fixed Lite



#### Item # Description

- 1 Frame Head, Sill and Jamb
- 2 Corner Key 90\*
- 3 Spreader Bar
- 4 Spreader Bar Clip
- 5 Rigid V-Spline
- 6 Bulb Weatherstrip

#### FRAME - Trapezoid



#### Item # Description

- 1 Frame Head, Sill and Jamb
- 2 Corner Key 90\*
- 3 Short leg adjustable Corner Key
- 4 Standard Adjustable Corner Key
- 5 Spreader Bar
- 6 Spreader Bar Clip
- 7 Rigid V-Spline
- 8 Bulb Weatherstrip

# Standard Lip Frame Fixed Lite

Series LF20

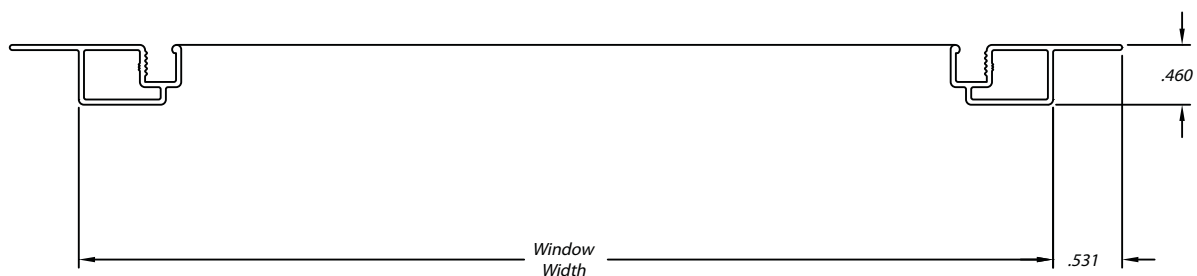
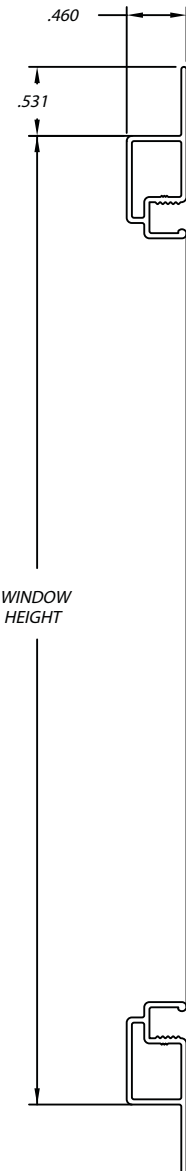
## Features

### STANDARD FEATURES

- Aluminum extruded main frame
- White frame color
- Frame depth 7/16"
- 1/2" front installation flange
- Glazed with 10-mil clear vinyl
- Spreader bar(s)
- Foam tape factory applied
- Sizing
  - Opening size with 1/8" deduction in width & height

### OPTIONAL FEATURES

- Bronze, beige, or pebble khaki (driftwood) frame color
- Bronze, dark gray, or smoke gray 10-mil vinyl color
- BetterVue® 2020, SunScreen®, 1814 or 1816 screen mesh
- Turn (swivel) clips for easy removal
- Send unit without foam tape
- Available as a trapezoid shape
- Sizing
  - Opening size with a 1/4" deduction in width & height
  - Opening size with 3/8" deduction in width & height
  - Actual unit size with no deductions





# Standard Lip Frame Fixed Lite

Series LF20

## Information and Guidelines

**Information necessary for a complete and correct quote/order:**

1. Product / series number
2. Size selection
3. Size
4. Frame color
5. Vent glazing
6. Spreader bar quantity
7. All other desired options must be included at the time of order

**Note:** Options not listed cannot be incorporated into your quote or order

**Example:**

LF20  
 Opening with 1/4"cutback  
 49 1/2" x 18"  
 White  
 Clear  
 1 vertical

**Example:**

LF20  
 Opening with 3/8"cutback  
 84" x 62 1/2"  
 Beige  
 Smoke gray  
 2 vertical

**Example:**

LF20  
 Actual (No deductions)  
 25" x 124"  
 Pebble khaki  
 Bronze  
 3 horizontal

**Additional order and product information:**

1. **Opening measurement is preferred:** Our standard cutback (deduction) is 1/8" and will be taken in both width and height. You may choose one of our other options: 1/4", 3/8" cutback, or actual unit size (not including installation flange).
2. To ensure exceptional product performance and functionality, spreader bars are required on actual unit size that exceed 42" in width or height.

3. Sizes and configurations:

	<b>Minimum Actual Size :</b>	<b>Maximum Actual Size :</b>
Lip Frame with (vinyl)	2 7/8" x 2 7/8"	124" x 50 1/2" or 50 1/2" x 124"
Lip Frame with (screen)	2 7/8" x 2 7/8"	124" x 84" or 84" x 124"
Trapezoid with (vinyl)	3" x 5" w/ min leg height of 4"	124" x 50 1/2" or 50 1/2" x 124"
Trapezoid with (screen)	3" x 5" w/ min leg height of 4"	124" x 84" or 84" x 124"

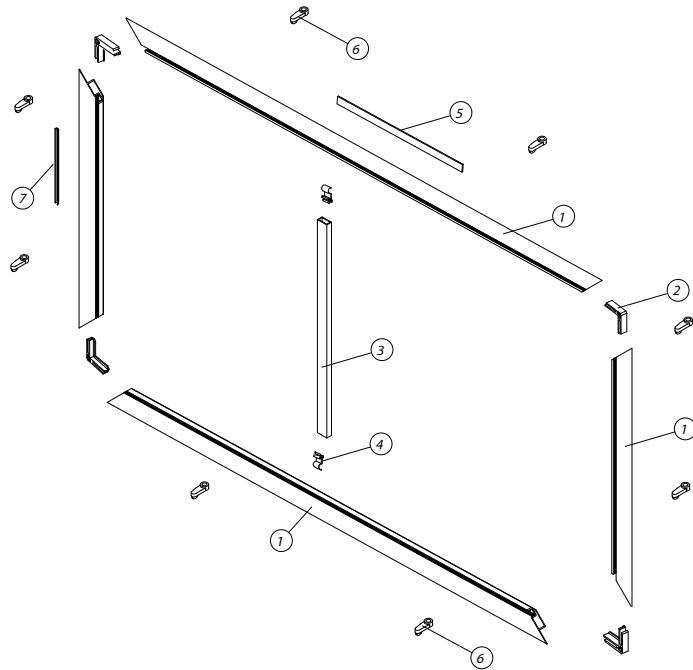


# Standard Lip Frame Fixed Lite

Series LF20

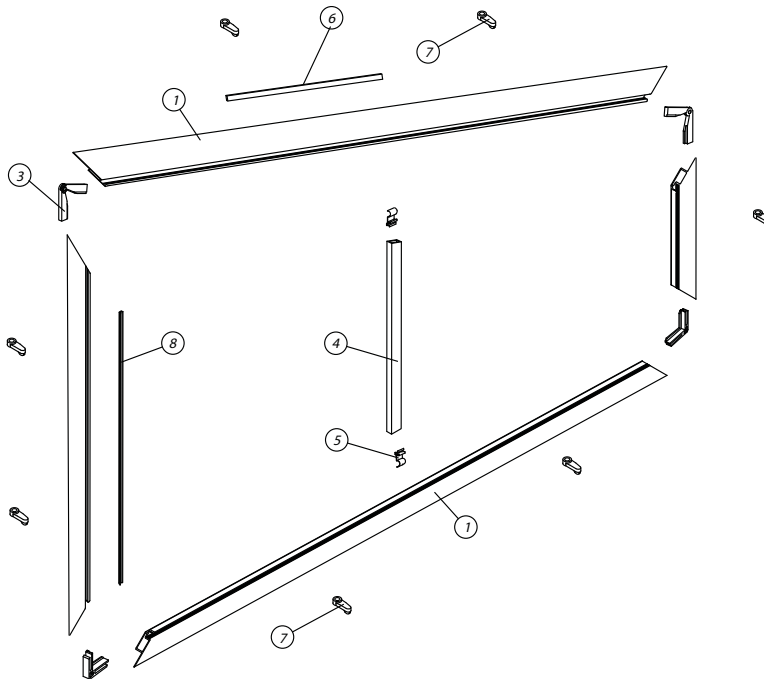
Exploded View Drawings

## STANDARD LIP FRAME FRAME - Fixed Lite



Item #	Description
1	Frame Head, Sill and Jamb
2	Corner Key
3	Spreader Bar
4	Spreader Bar Clip
5	Foam Tape
6	Swivel Clip
7	Rigid V-Spline

## FRAME - Trapezoid



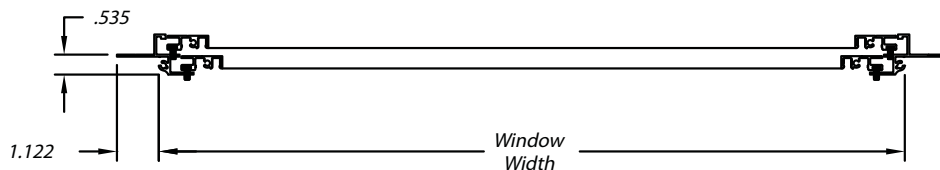
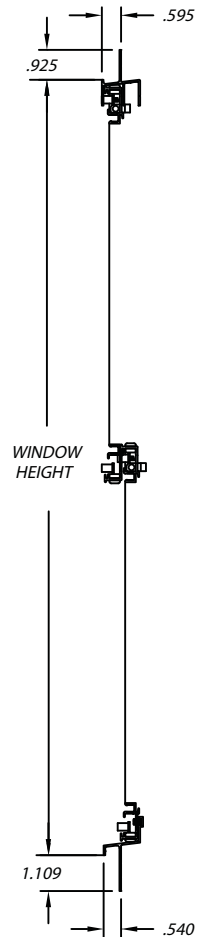
Item #	Description
1	Frame Head, Sill and Jamb
2	Corner Key
3	Adjustable Corner Key
4	Spreader Bar
5	Spreader Bar Clip
6	Foam Tape
7	Swivel Clip
8	Rigid V-Spline

## STANDARD FEATURES

- Inside mount frame
- Aluminum extruded main frame
- White frame color
- Frame depth 1-1/16"
- Nominal 1" front installation flange with 9/16" setback
- Glazed with 10-mil clear vinyl
- Equal interlocking vents
- Tilt in, removable vents
- Spreader bar(s)
- Sizing
  - Opening size with 3/8" deduction in width & height

## OPTIONAL FEATURES

- Bronze, beige, or pebble khaki (driftwood) frame color
- Bronze, dark gray, or smoke gray 10-mil vinyl color
- BetterVue® 2020, SunScreen®, 1814 or 1816 screen mesh
- Lip frame screen attached
- Unequal vents
- Sizing
  - Actual unit size with no deductions





# Vertical Two-Track

Series 2V60

## Information and Guidelines

**Information necessary for a complete and correct quote/order:**

1. Product / series number
2. Vent configuration
3. Size selection
4. Size
5. Spreader bar quantity
6. Frame color
7. Vent glazing
8. Screen configuration
9. All other desired options must be included at the time of order

**Example:**

2V60  
 Equal  
 Opening with 3/8" cutback  
 10 1/2" x 19 3/4"  
 None  
 White  
 Clear  
 No screen

**Example:**

2V60  
 Equal  
 Actual (No deductions)  
 42" x 75"  
 1  
 Beige  
 Smoke gray  
 Attached

**Example:**

2V60  
 Equal  
 Actual (No deductions)  
 36" x 40"  
 1  
 Bronze  
 Smoke gray  
 No screen

**Note:** Options not listed cannot be incorporated into your quote or order

**Additional order and product information:**

1. **Opening measurement is preferred:** Our standard cutback (deduction) is 3/8" and will be taken in both width and height. You may also order by actual unit size (not including installation flange).
2. To ensure exceptional product performance and functionality, spreader bars are required on actual unit widths that exceed 30" wide.

3. Sizes and configurations:  
 Vertical Two Track

**Minimum Actual Size :**  
 10 1/2" x 12 7/8"

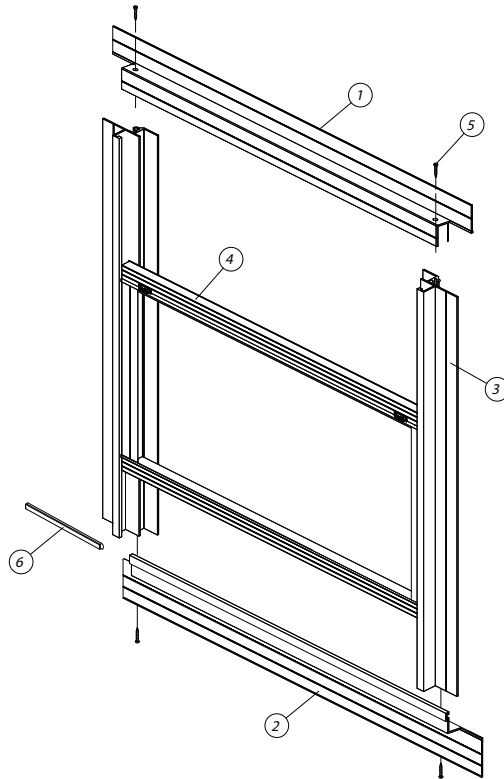
**Maximum Actual Size :**  
 42" x 75"

# Vertical Two-Track

Series 2V60

## Exploded View Drawings

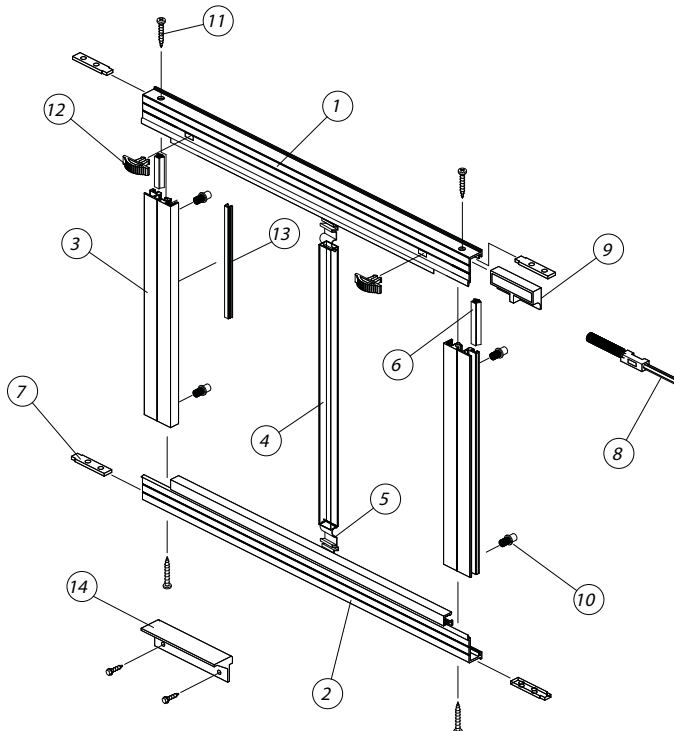
### VERTICAL TWO-TRACK FRAME



#### Item # Description

- 1 Frame Head
- 2 Frame Sill
- 3 Frame Jamb
- 4 Vertical Two-Track Vent (assembled)
- 5 Frame Assembly Screws
- 6 Frame Sill Weatherstrip

### VENT ASSEMBLY



#### Item # Description

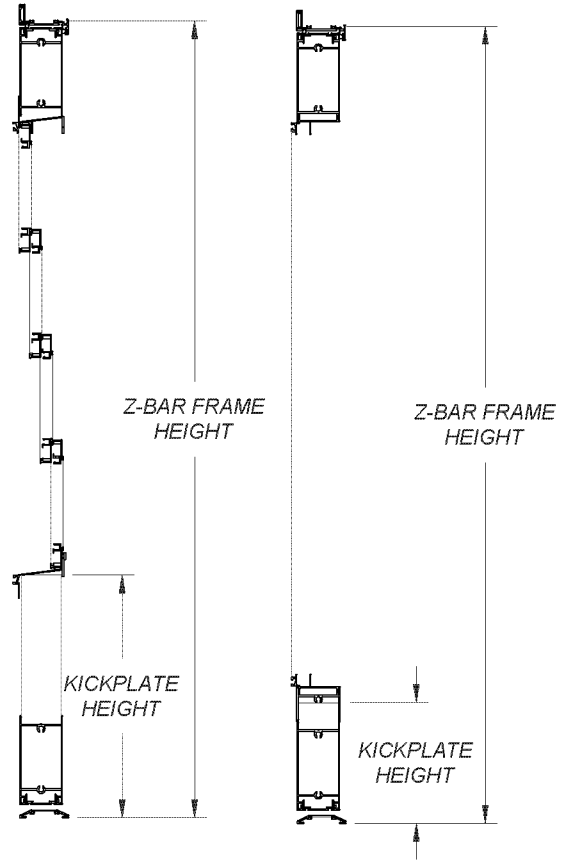
- 1 Vent Head
- 2 Vent Sill
- 3 Vent Jamb
- 4 Spreader Bar
- 5 Spreader Bar Clip
- 6 Vent Jamb Weatherstrip
- 7 Vent Spacer
- 8 Slide Bolt Assembly (slide bolt & spring)
- 9 Slide Bolt Stop Block
- 10 Spring Cap Assembly
- 11 Vent Assembly Screw
- 12 Thumb Latch
- 13 Rigid V-Spline (vents)
- 14 Pull handle (optional)

## STANDARD FEATURES

- Two door styles to choose from
  - Vertical Four Track Style - with 14 1/4" kickplate
  - Fixed Lite Style - with 4 3/4" kickplate
- Traditional Z- bar frame
- Aluminum extruded main frame
- White frame color
- Frame depth 2 1/4"
- Glazed with 10-mil clear vinyl
- Single or double door configuration
- Out-swing or in-swing
- Installation fastener cover
- 6'8" doors pre-hung on three hinges
- 8'0" doors pre-hung on four hinges
- Factory installed 3/8" saddle threshold
- Standard nominal sizes

## OPTIONAL FEATURES

- Bronze, beige, or pebble khaki (driftwood) frame color
- Equal-leg/box frame adapter
- Factory installed threshold options
  - Medium bumper 1 7/16"
  - High bumper 2"
- Bronze, dark gray, or smoke gray 10-mil vinyl color
- BetterVue® 2020, SunScreen®, 1814, or 1816 screen mesh



**Information necessary for a complete and correct quote/order:**

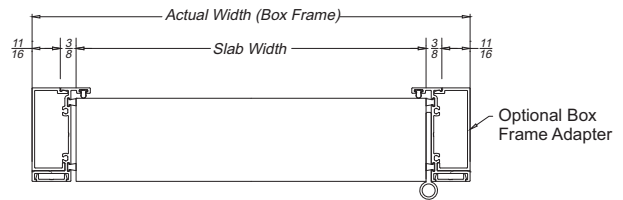
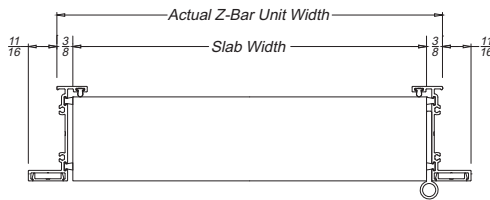
1. Product / series number
2. Door type
3. Frame type
4. Door style
5. Size selection
6. Frame color
7. Door swing
8. Threshold type
9. Hinge side / Active panel
10. Custom kickplate
11. Glazing
12. Hardware prep
13. Hardware color
14. All other desired options must be included at the time of order

**Note:** Options not listed cannot be incorporated into your quote or order

<b>Example:</b>	<b>Example:</b>	<b>Example:</b>
CD90	CD90	CD90
Single X	Single X	Double XX
Z-Bar	Equal leg/Box	Z-Bar
Vertical four track	Fixed lite	Vertical four track
3068	2880	86 3/4" x 79 3/4"
White	Pebble khaki	Beige
Out-swing	In-swing	Out-swing
Med bumper	Low saddle	High bumper
Hinge right	Hinge right	Active left / Inactive right
	14 1/4" from bottom of opening to top of kickplate	32" from bottom of opening to top of kickplate
n/a		
Clear vinyl	1814 charcoal screen	Smoke gray vinyl
Knob & deadbolt	Bore for knob only	Both panels knob & deadbolt
Satin silver	No hardware	Satin silver
BetterVue screen	n/a	1814 charcoal screen

**Additional order and product information:**

1. **Actual size measurement is preferred:** Actual Z-Bar or Box/Equal Leg frame width and height or nominal size code.



2. To ensure exceptional product performance and functionality, spreader bars are required on actual unit widths that exceed 30" wide.

3. Sizes and configurations:

- Single Cabana Door - Z-bar Frame
- Single Cabana Door - Box/Equal Leg Frame
- Double Cabana Door - Z-bar Frame
- Double Cabana Door - Box/Equal Leg Frame

**Minimum Actual Size :**

- 22" x 48"
- 23 3/8" x 48 11/16"
- 48" x 48"
- 49 3/8" x 48 11/16"

**Maximum Actual Size :**

- 44" x 96"
- 45 3/8" x 96 11/16"
- 88" x 96"
- 89 3/8" x 96 11/16"

4. Finished opening sizes:

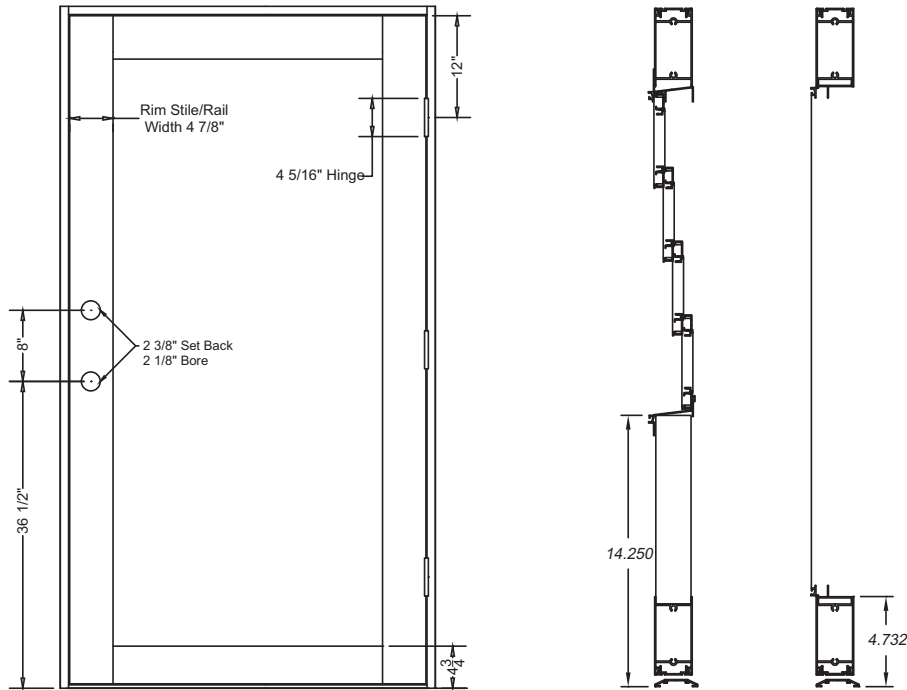
**Z-BAR FRAME**

Size Code	Actual Door Width x Height	Finished Opening Width x Height
2668	30 x 80	30 1/4 x 80 1/4
2868	32 x 80	32 1/4 x 80 1/4
3068	36 x 80	36 1/4 x 80 1/4
3868	44 x 80	44 1/4 x 80 1/4
6068	72 x 80	72 1/4 x 80 1/4
7468	88 x 80	88 1/4 x 80 1/4
2680	30 x 96	30 1/4 x 96 1/4
2880	32 x 96	32 1/4 x 96 1/4
3080	36 x 96	36 1/4 x 96 1/4
3880	44 x 96	44 1/4 x 96 1/4
6080	72 x 96	72 1/4 x 96 1/4
7480	88 x 96	88 1/4 x 96 1/4

**BOX FRAME**

Size Code	Actual Door Width x Height	Finished Opening Width x Height
2668	31 3/8 x 80 5/8	31 5/8 x 80 7/8
2868	33 3/8 x 80 5/8	33 5/8 x 80 7/8
3068	37 3/8 x 80 5/8	37 5/8 x 80 7/8
3868	45 3/8 x 80 5/8	45 5/8 x 80 7/8
6068	73 3/8 x 80 5/8	73 5/8 x 80 7/8
7468	89 3/8 x 80 5/8	89 5/8 x 80 7/8
2680	31 3/8 x 96 5/8	31 5/8 x 96 7/8
2880	33 3/8 x 96 5/8	33 5/8 x 96 7/8
3080	37 3/8 x 96 5/8	37 5/8 x 96 7/8
3880	45 3/8 x 96 5/8	45 5/8 x 96 7/8
6080	73 3/8 x 96 5/8	73 5/8 x 96 7/8
7480	89 3/8 x 96 5/8	89 5/8 x 96 7/8

## 5. Cabana Door Sizing



**Important Note:** Kickplate dimension is always measured from the bottom of the opening to the top of the kickplate.

## 6. Kickplate sizing:

### Vertical Four-Track Style

Standard kickplate dimension	14 1/4"
Minimum custom kickplate dimension	4 13/16"
Maximum custom kickplate	Door height - 27.513

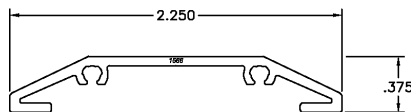
### Fixed Lite Style

Standard kickplate dimension	4 3/4"
Minimum custom kickplate dimension	6 3/8"
Maximum custom kickplate	Door height - 9.715

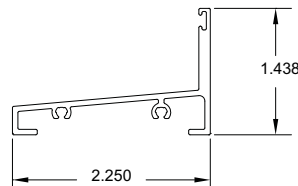
## 7. Thresholds:

### Out-swing options:

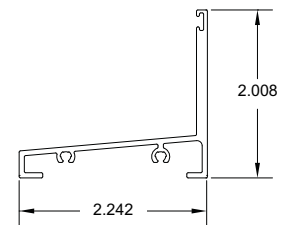
Low/saddle: 3/8"



Medium/bumper: 1 7/16"

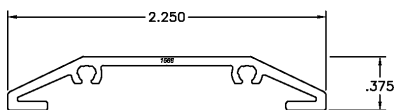


High/bumper: 2"



### In-swing option:

Low/saddle: 3/8"

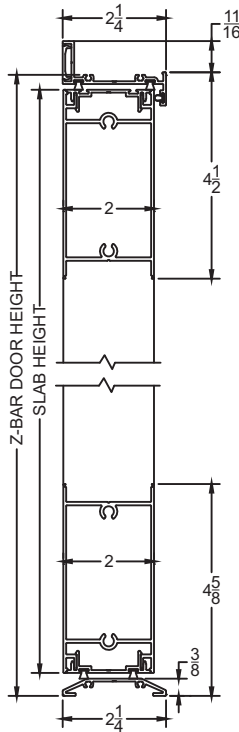


# Cabana Door

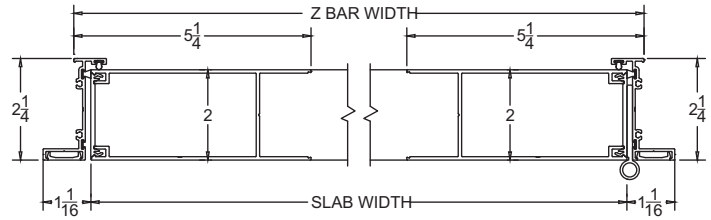
Series CD90

## Out-swing Configuration Drawings

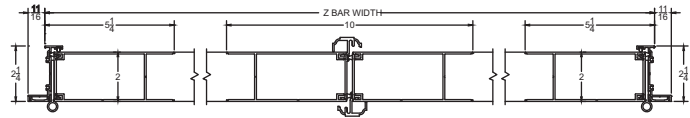
Out-swing (Z-Bar Frame) Low Threshold



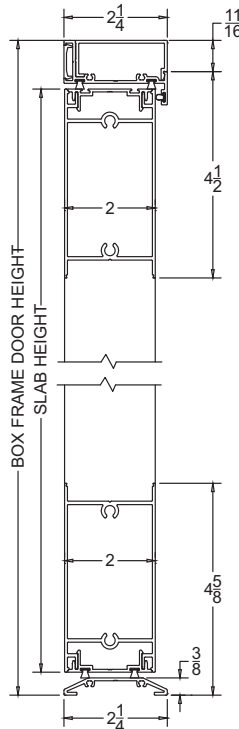
Out-swing (Z-Bar Frame) Single



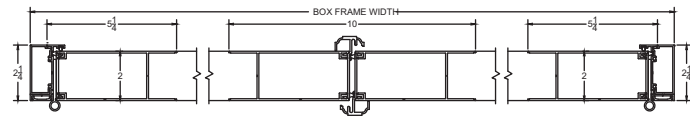
Out-swing (Z-Bar Frame) Double



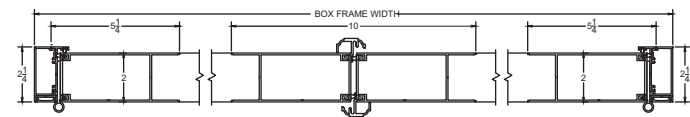
Out-swing (Box Frame) Low Threshold



Out-swing (Box Frame) Single

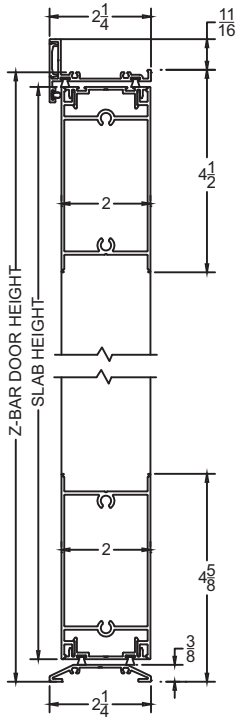


Out-swing (Box Frame) Double

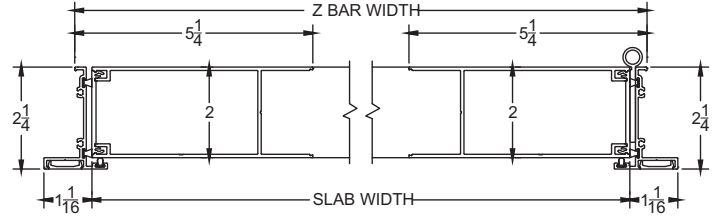




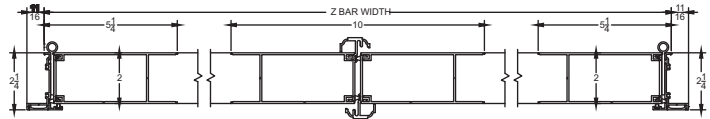
**In-swing (Z-Bar Frame) Low Threshold**



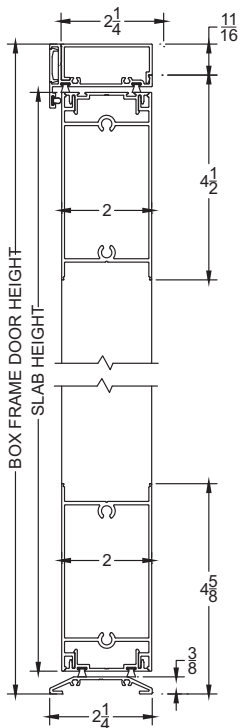
**In-swing (Z-Bar Frame) Single**



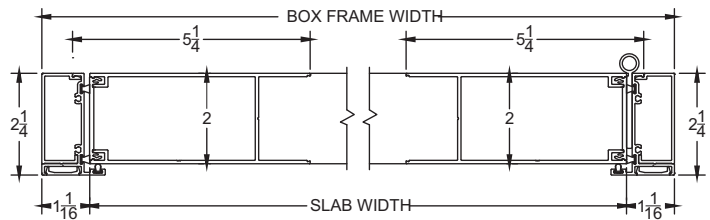
**In-swing (Z-Bar Frame) Double**



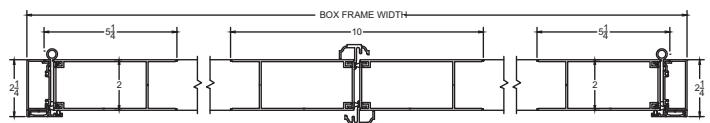
**In-swing (Box Frame) Low Threshold**



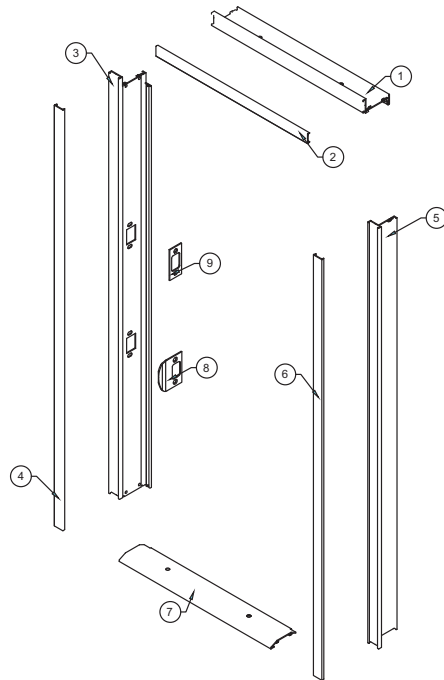
**In-swing (Box Frame) Single**



**In-swing (Box Frame) Double**

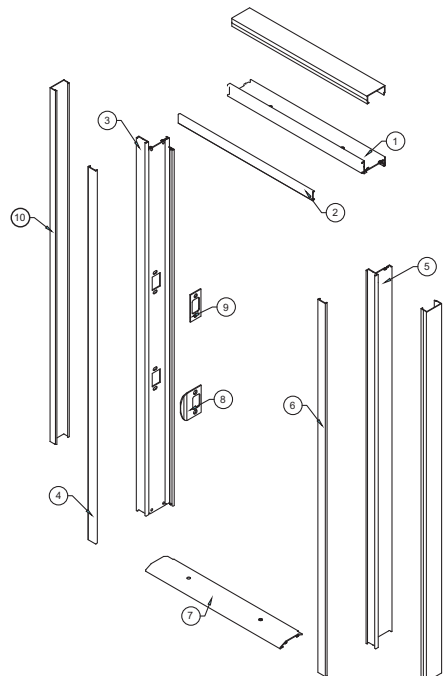


**CABANA DOOR**  
**Z-BAR FRAME - Single and Double**



<u>Item #</u>	<u>Description</u>
1	Z-bar frame head
2	Head installation screw cover
3	Z-bar frame lock jamb
4	Lock jamb installation screw cover
5	Z-bar frame hinge jamb
6	Hinge jamb installation screw cover
7	Threshold (low saddle shown)
8	Handle striker backing plate
9	Deadbolt striker backing plate

**BOX FRAME - Single and Double**



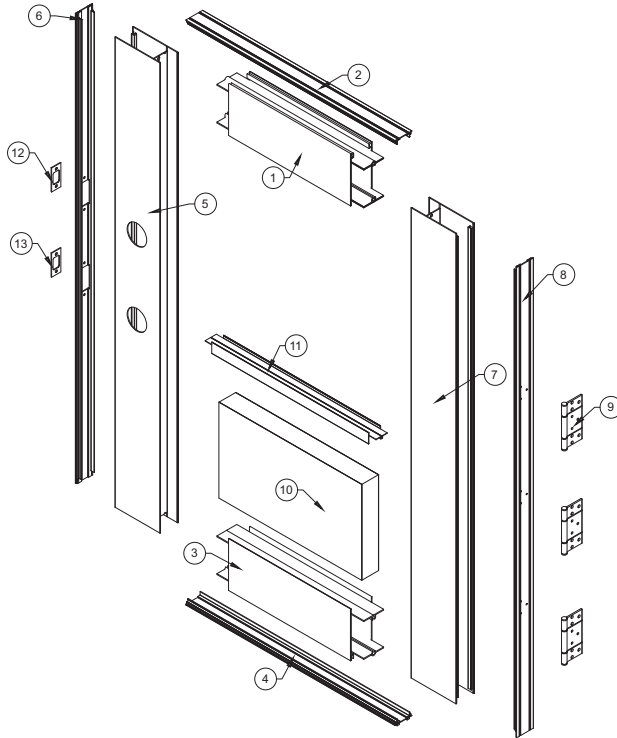
<u>Item #</u>	<u>Description</u>
1	Z-bar frame head
2	Head installation screw cover
3	Box frame lock jamb
4	Lock jamb installation screw cover
5	Box frame hinge jamb
6	Hinge jamb installation screw cover
7	Threshold (low saddle shown)
8	Handle striker backing plate
9	Deadbolt striker backing plate
10	Box / equal frame head adapter

# Cabana Door

Series CD90

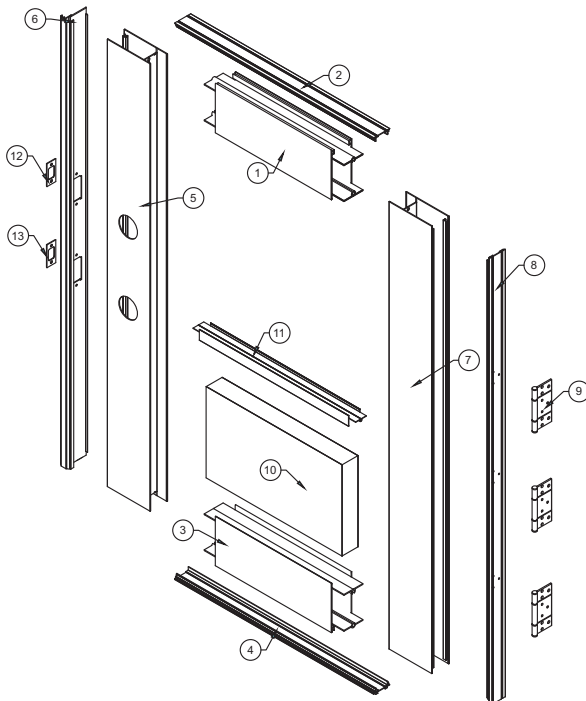
Exploded View Drawings (continued)

## CABANA DOOR SLAB - Single



<u>Item #</u>	<u>Description</u>
1	Top rim stile
2	Top rim stile backing plate
3	Bottom rim stile
4	Bottom rim stile backing plate
5	Lock jamb rim stile
6	Lock jamb rim stile backing plate
7	Hinge jamb rim stile
8	Hinge jamb rim stile backing plate
9	Hinge
10	Kickplate
11	Kickplate cap
12	Deadbolt striker backing plate
13	Handle striker backing plate

## SLAB - Double



<u>Item #</u>	<u>Description</u>
1	Top rim stile
2	Top rim stile backing plate
3	Bottom rim stile
4	Bottom rim stile backing plate
5	Lock jamb rim stile
6	Astragal
7	Hinge jamb rim stile
8	Hinge jamb rim stile backing plate
9	Hinge
10	Kickplate
11	Kickplate cap
12	Deadbolt striker backing plate
13	Handle striker backing plate

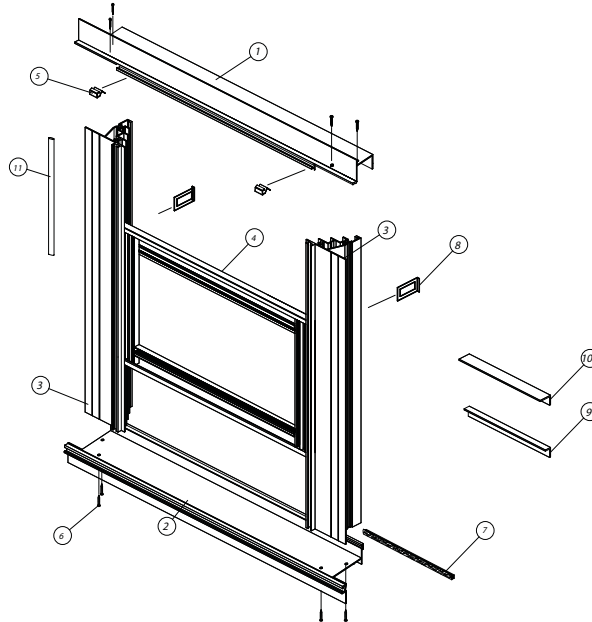
# Cabana Door

Series CD90

## Exploded View Drawings (continued)

### CABANA DOOR

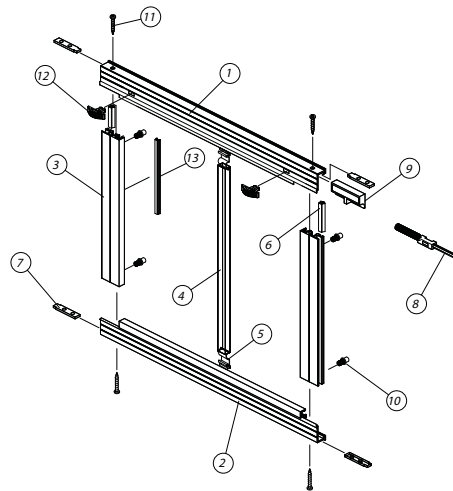
#### FRAME - Vertical Four-Track Window Style



#### Item # Description

- 1 Frame Head
- 2 Frame Sill
- 3 Frame Jamb
- 4 Vertical Four-Track Vent (assembled)
- 5 Top Track Vent Clip
- 6 Frame Assembly Screws
- 7 Frame Sill Weatherstrip
- 8 Installation Clip
- 9 4T3V - Track Filler Angle (1/2" x 3/4")
- 10 4T2V - Track Filler Angle(1" x 1")
- 11 Flat Spline

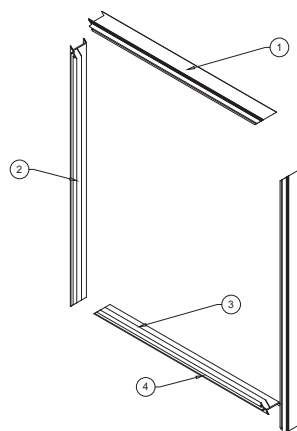
#### VENT ASSEMBLY - Vertical Four-Track Window Style



#### Item # Description

- 1 Vent head
- 2 Vent sill
- 3 Vent jamb
- 4 Spreader bar
- 5 Spreader bar clip
- 6 Vent jamb weatherstrip
- 7 Vent spacer
- 8 Slide bolt assembly (slide bolt & spring)
- 9 Slide bolt stop block
- 10 Spring cap assembly
- 11 Vent assembly screw
- 12 Thumb latch
- 13 Rigid V-spline (vents)

#### FRAME - Fixed Lite Window Style



#### Item # Description

- 1 Frame head
- 2 Frame jamb
- 3 Frame sill
- 4 Screen spline





[www.pgtezebreeze.com](http://www.pgtezebreeze.com)

©2011 PGT Industries, Inc. 9/11 MG0300060